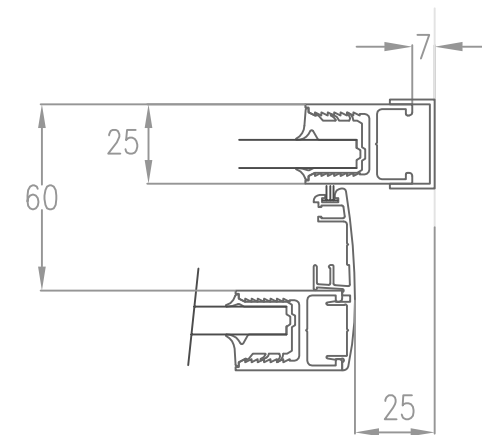

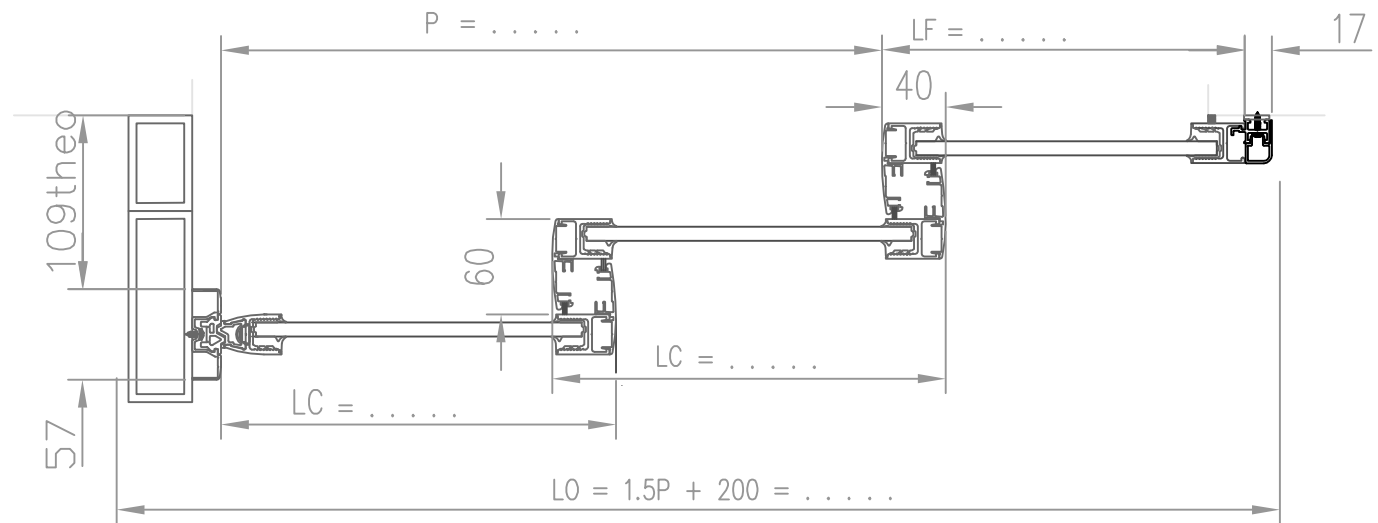
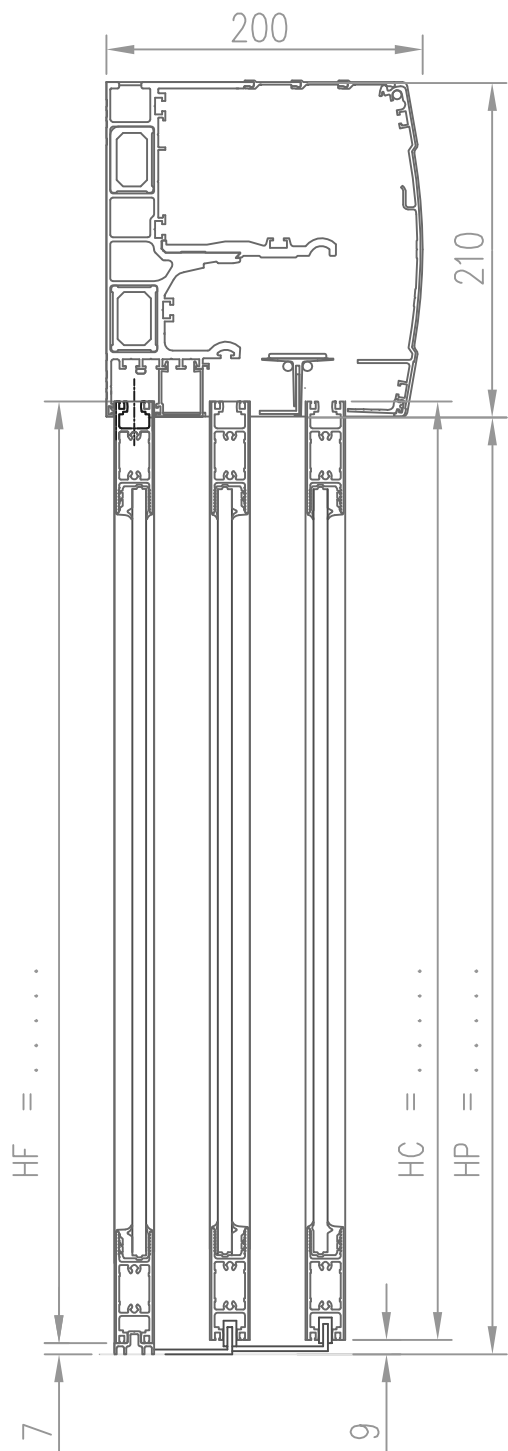


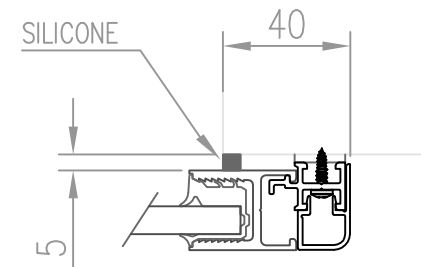
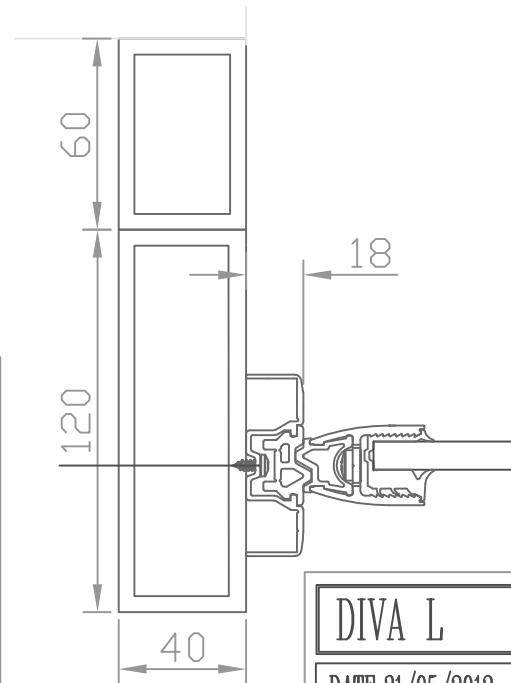
FL1	
HF =	HP + 3 = _____
LF =	1/2P + ____ = _____
CL1/CL2	
HC =	HP + 3 = _____
LC =	1/2P + 40 = _____




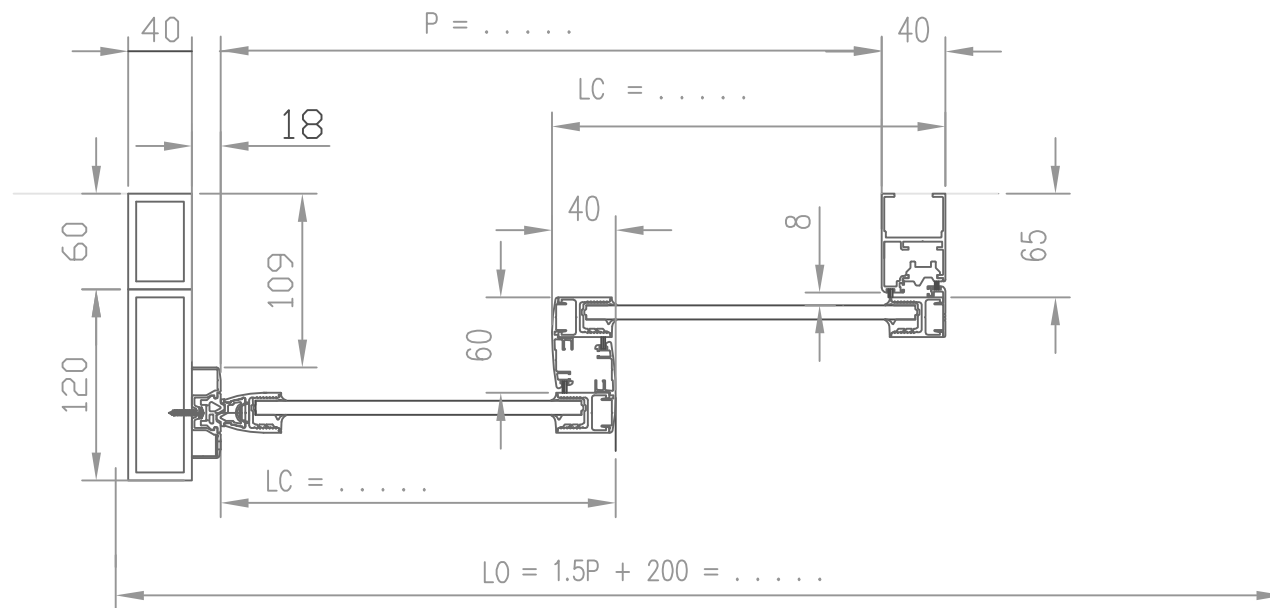
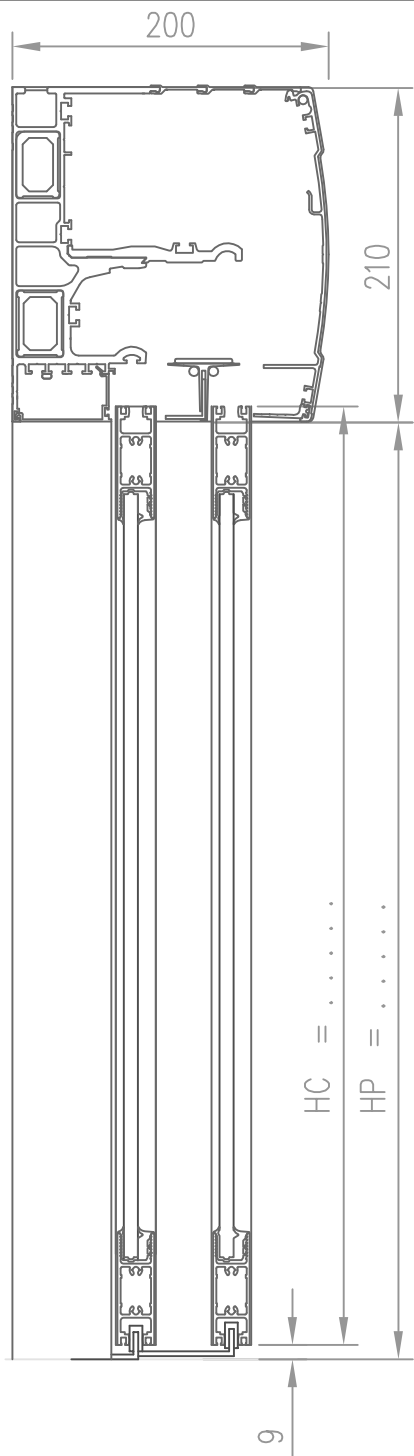
DIVA L		
DATE: 31/05/2012		
T S G25 R40 + F		PE 1964 / Ind: G



FL2	
HF =	HP + 3 =
LF =	1/2 P + -- =
CL1/CL2	
HC =	HP + 3 =
LC =	1/2P + 40 =

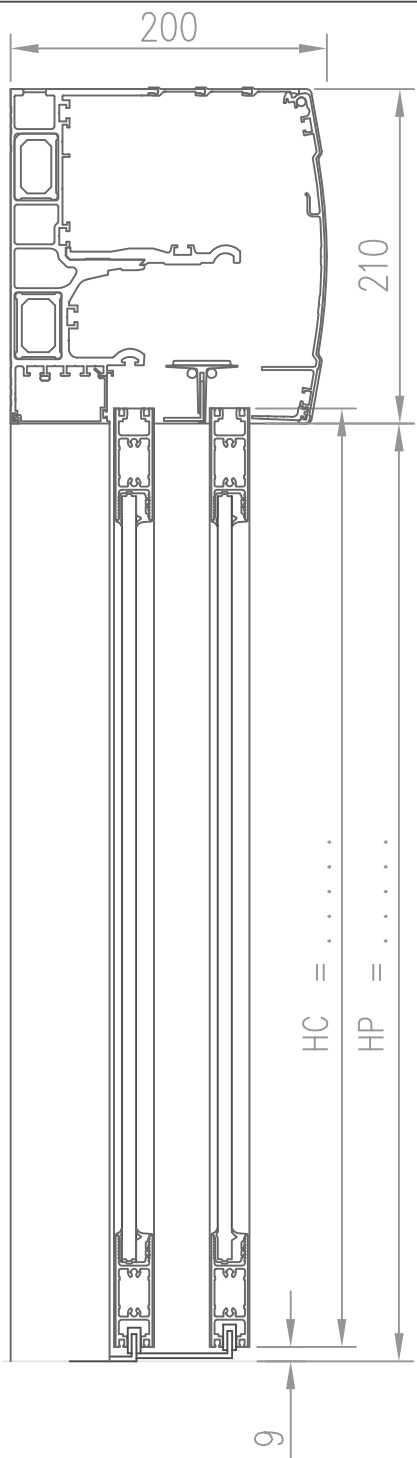


DIVA L		
DATE: 31/05/2012		
T S G25 R40 + F		PE 2261 / Ind:G

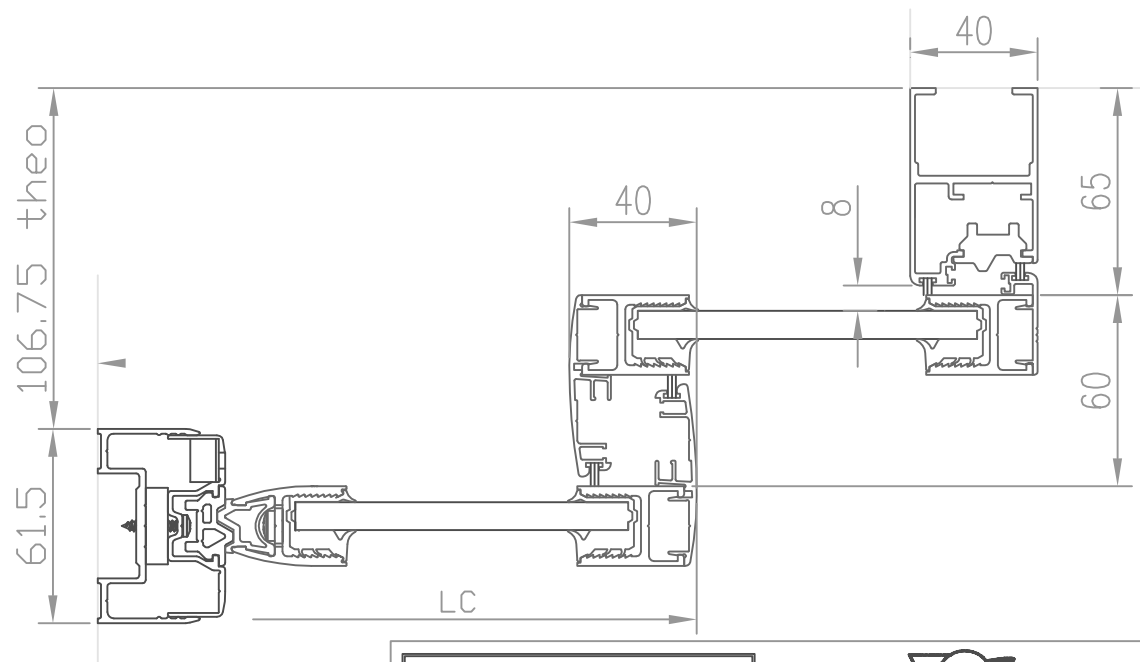
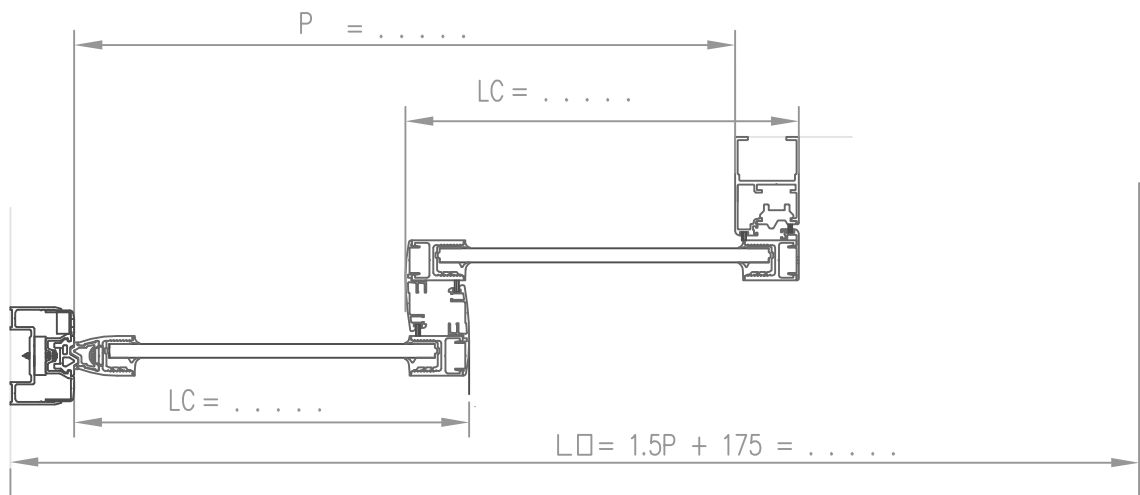



<p>CL1</p> <p>HC = HP + 3=</p> <p>LC = 1/2P + 41.5=</p>
<p>CL3</p> <p>HC = HP + 3=</p> <p>LC = 1/2P + 38.5=</p>

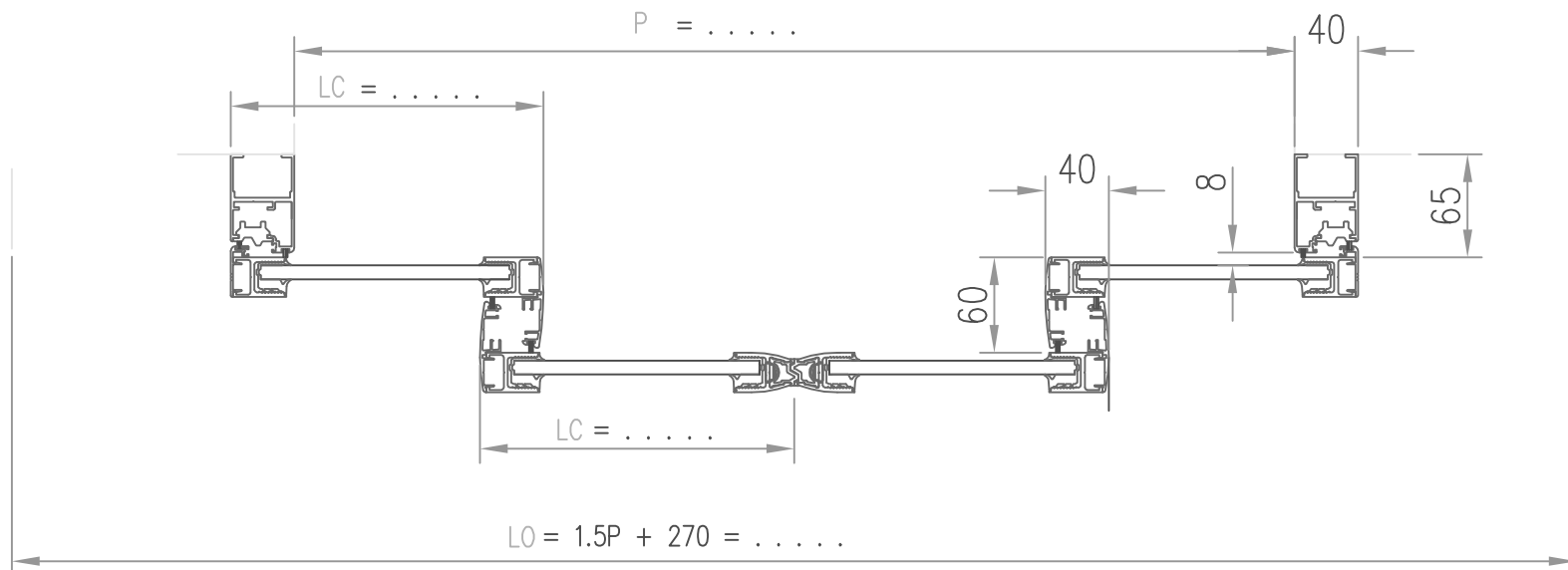
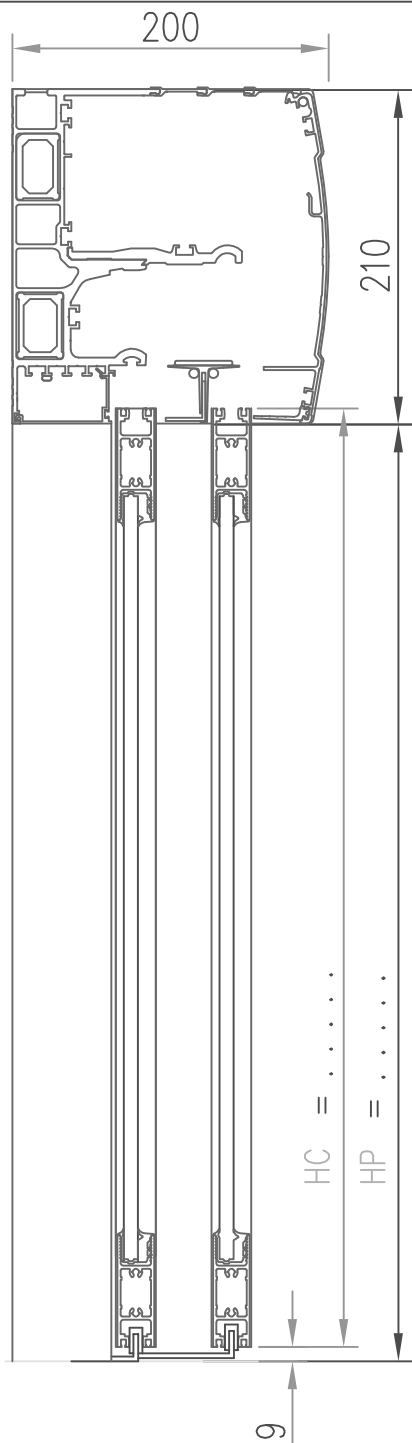
DIVA L	
DATE: 31/05/2012	
T S G25 R40	PE 2262 / Ind: F




CL1	
HC =	HP + 3 =
LC =	1/2 P + 41.5 =
CL3	
HC =	HP + 3 =
LC =	1/2 P + 38.5 =

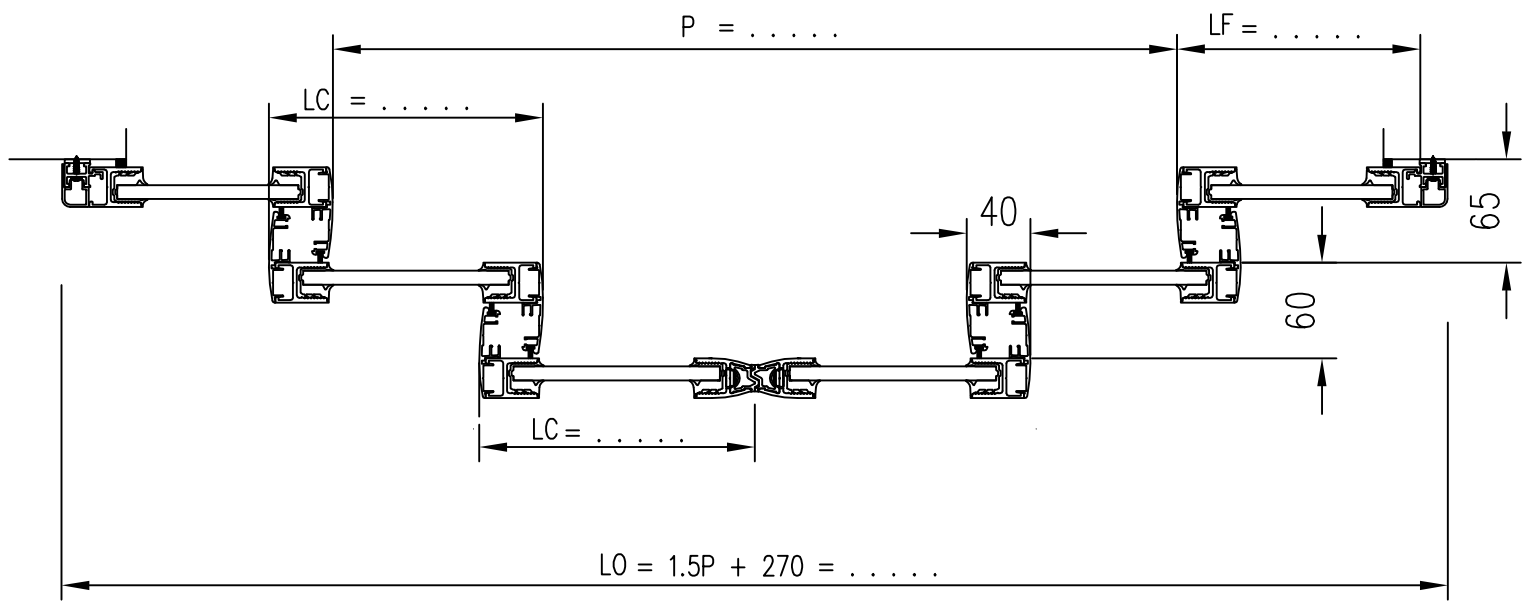
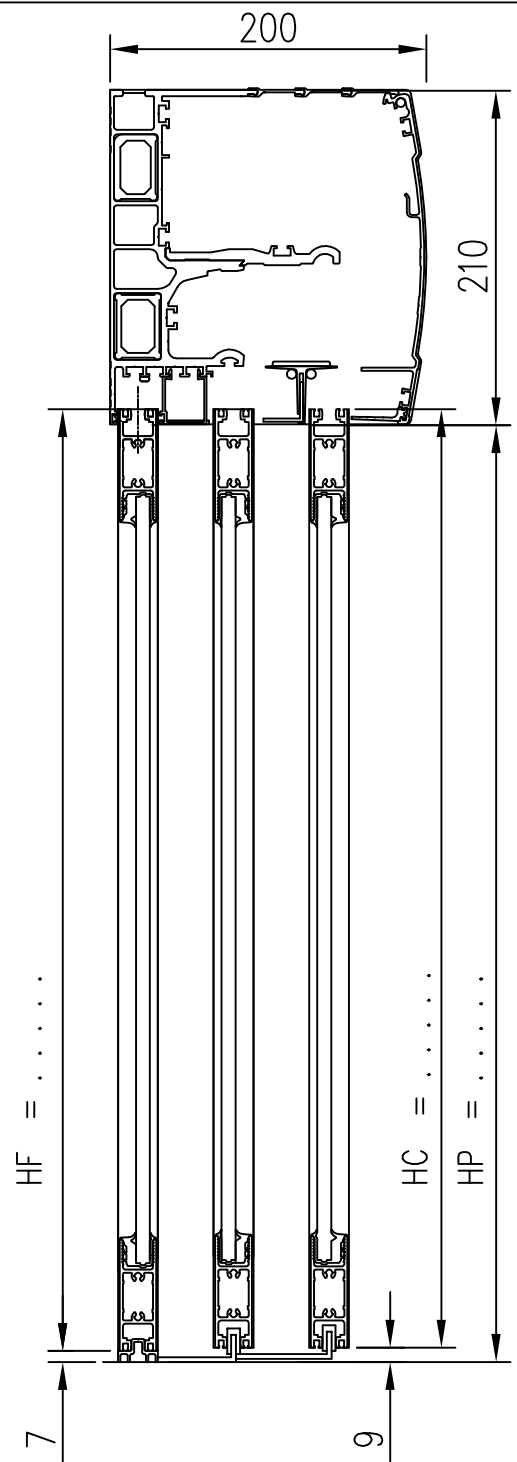


DIVA L		
DATE: 31/05/2012		
T S G25 R40		PE 2264 / Ind: F

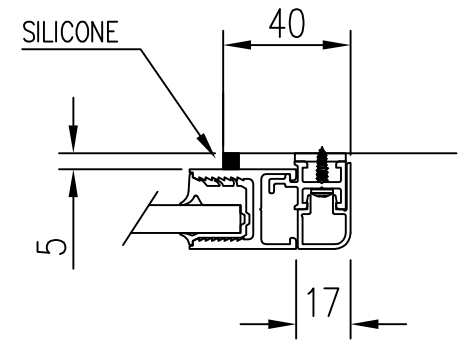



CL1	
HC =	HP + 3 =
LC =	1/4 P + 41.5 =
CL3	
HC =	HP + 3 =
LC =	1/4 P + 38.5 =

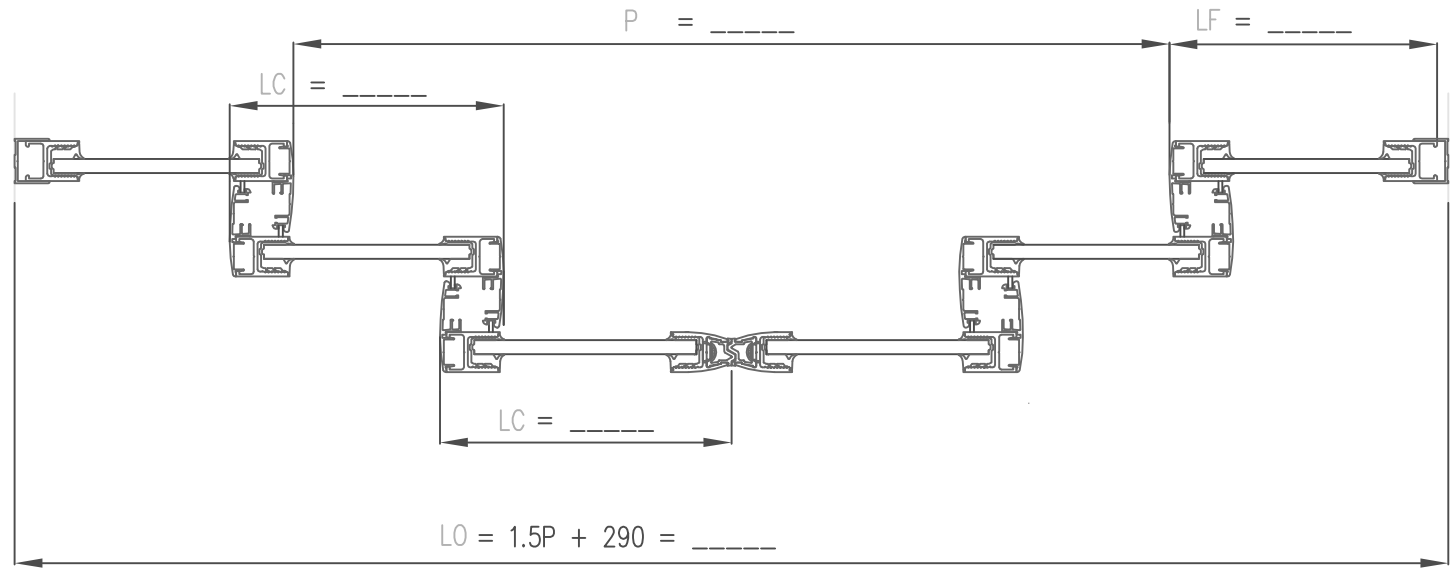
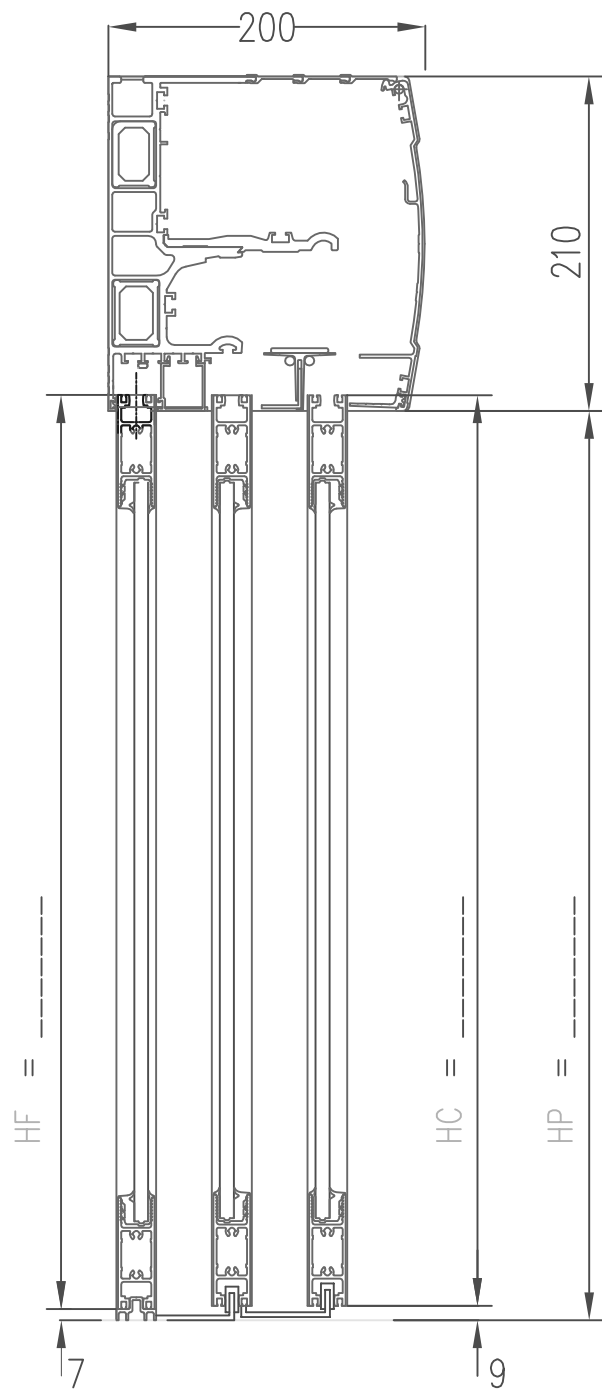
DIVA L	
DATE: 31/05/2012	
T D G25 R40	PE 2265/ Ind: E



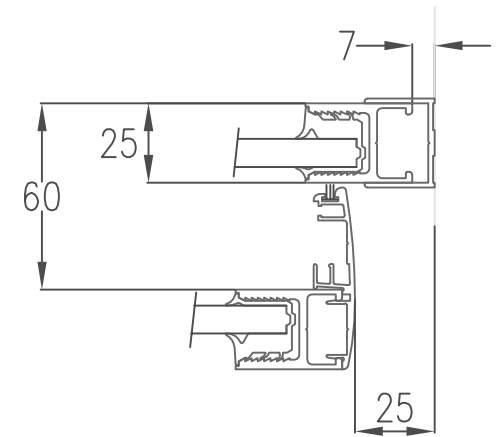
FL2	
HF =	HP + 3 =
LF =	1/4 P + -- =
CL1/CL2	
HC =	HP + 3 =
LC =	1/4P + 40 =




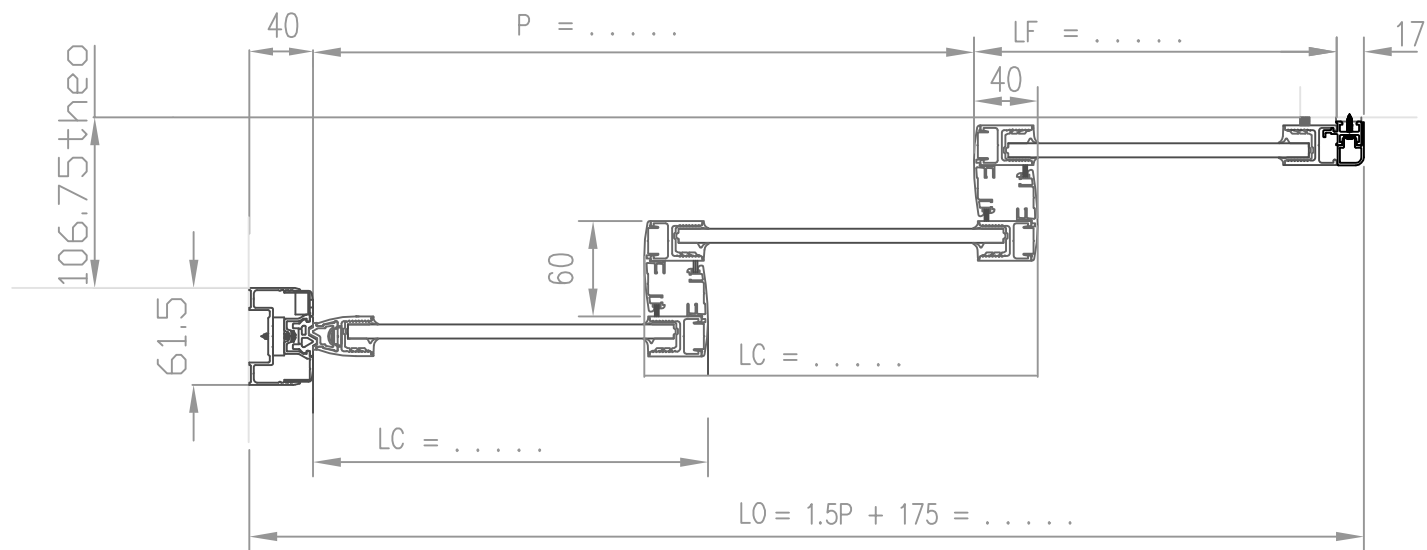
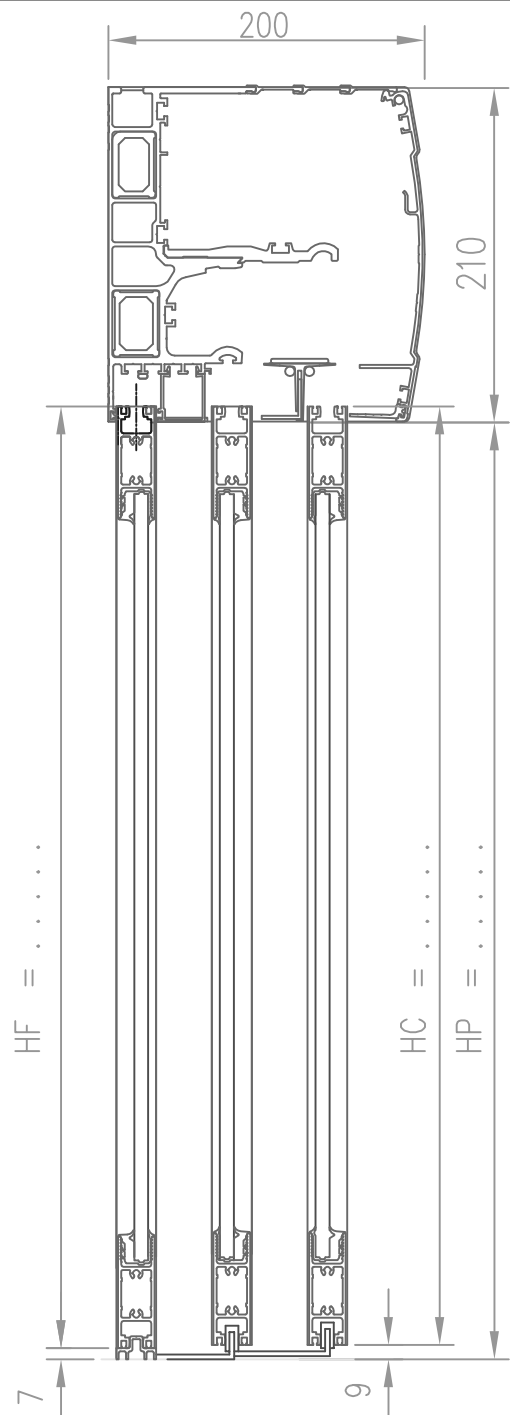
DIVA L		
DATE: 31/05/2012		
T D G25 R40 + F		PE 2266/ Ind: G



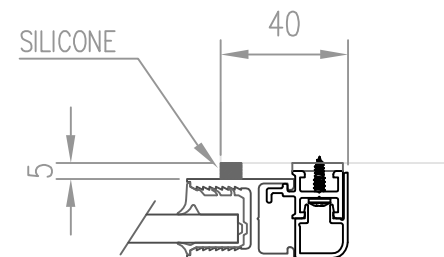
FL1	
HF =	HP + 3 =
LF =	1/4P + -- =
CL1/CL2	
HC =	HP + 3 =
LC =	1/4P + 40 =




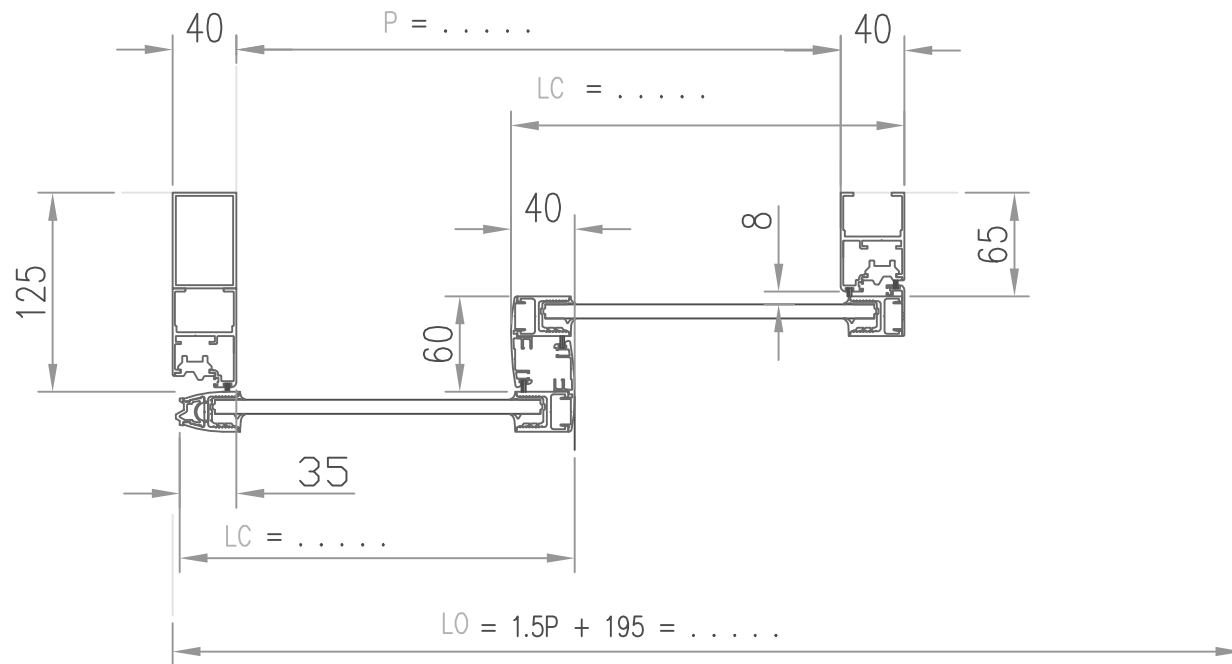
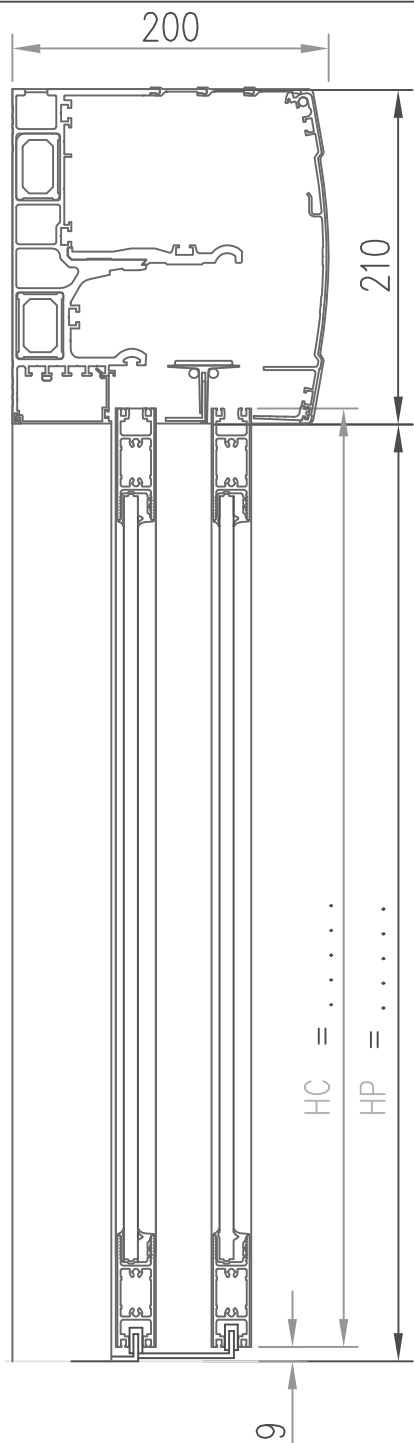
DIVA L		
DATE: 31/05/2012		
T D G25 R40 + F		PE 2397/ Ind: F



FL2	
HF =	HP + 3 =
LF =	1/2 P + -- =
CL1/CL2	
HC =	HP + 3 =
LC =	1/2P + 40 =

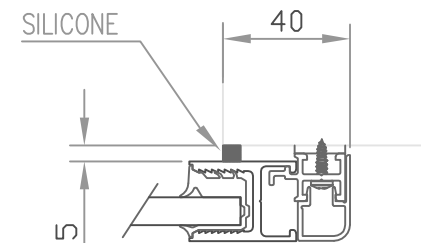
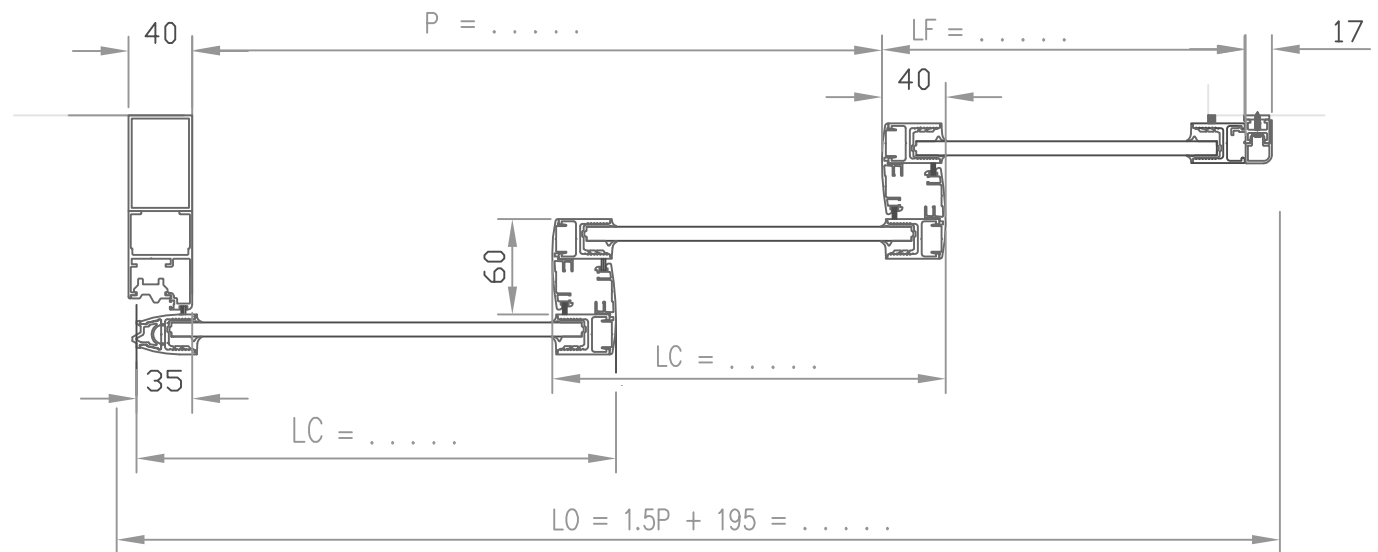
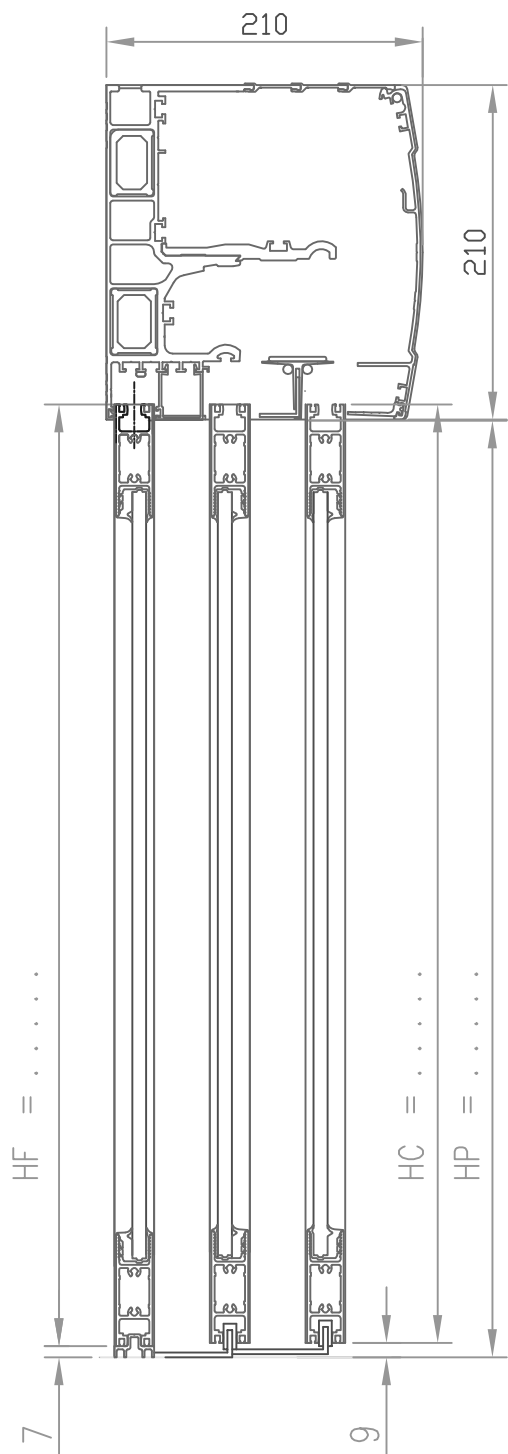


DIVA L		
DATE: 31/05/2012		
T S G25 R40 + F		PE 2820 / Ind: F




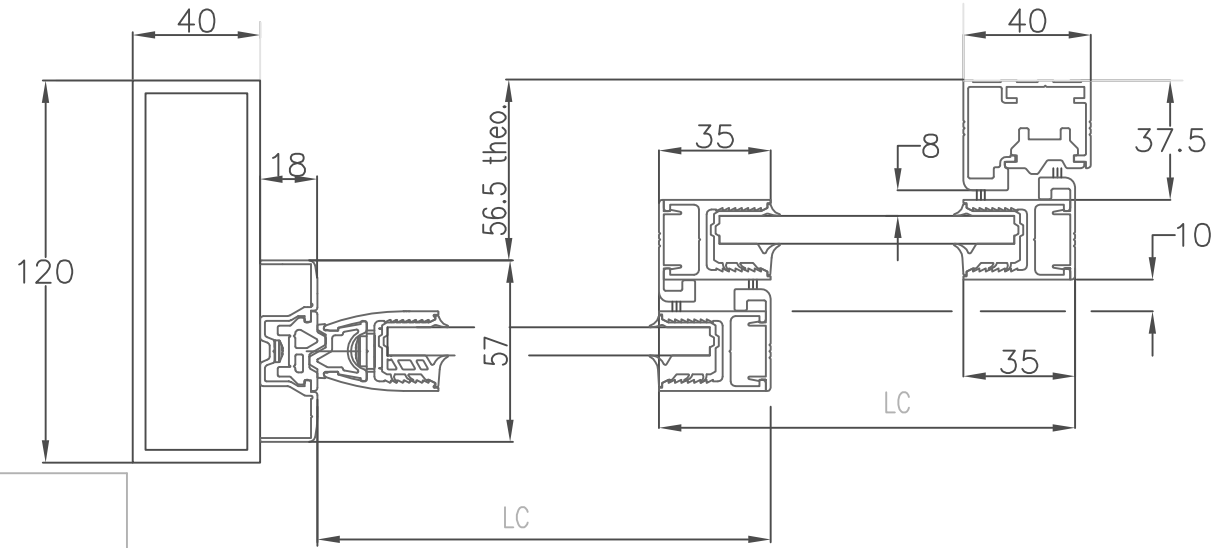
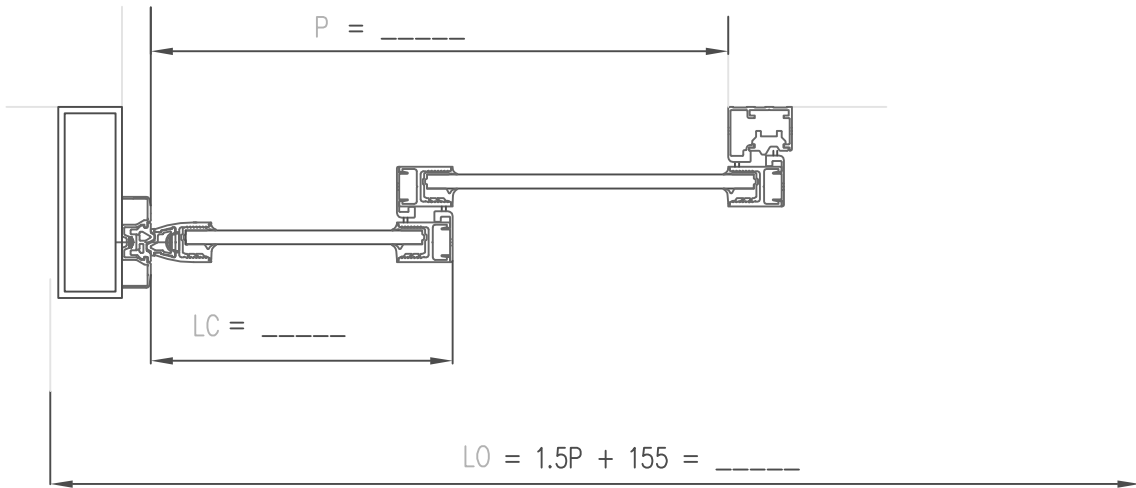
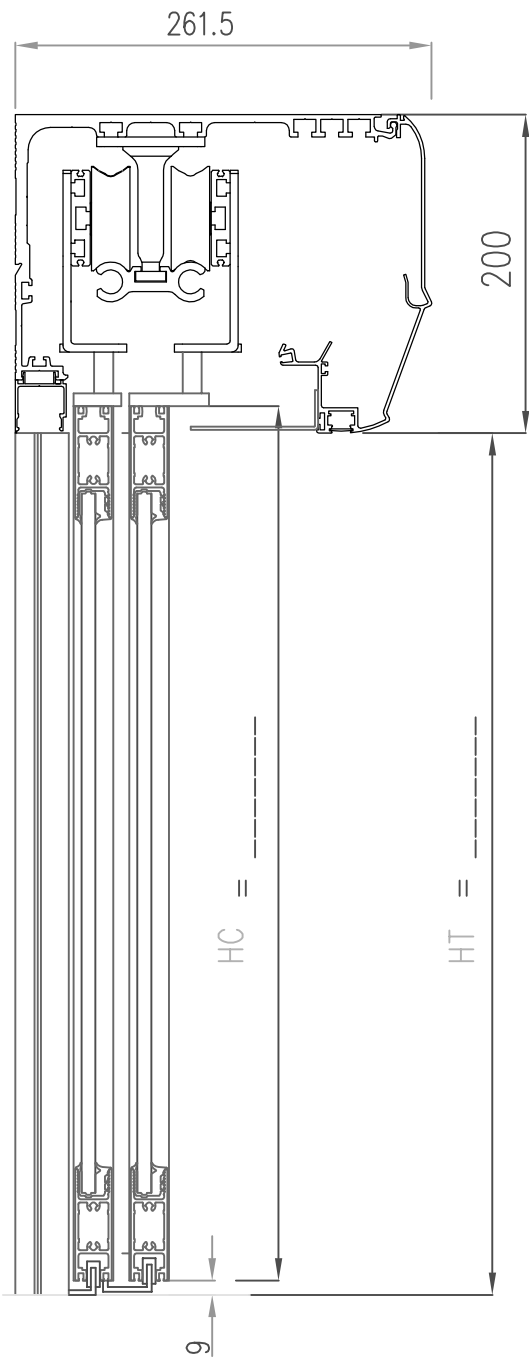
<p>CL1</p> <p>HC = HP + 3 = ...</p> <p>LC = 1/2P + 59 = ...</p>
<p>CL3</p> <p>HC = HP + 3 = ...</p> <p>LC = 1/2P + 56 = ...</p>

DIVA L	
DATE: 31/05/12	
T S G25 R40 R	PE 5611 / Ind: B



FL2	
HF =	HP + 3 =
LF =	1/2P + -- =
CL1 / CL2	
HC =	HP + 3 =
LC =	1/2P + 57.5 =

DIVA L		
DATE: 31/05/2012		
T S G25 R40 + F + R		PE 5612 / Ind: B



C1
HC = HP + 10 = -----
LC = 1/2P + 36.5 = -----
C2
HC = HP + 10 = -----
LC = 1/2P + 33.5 = -----

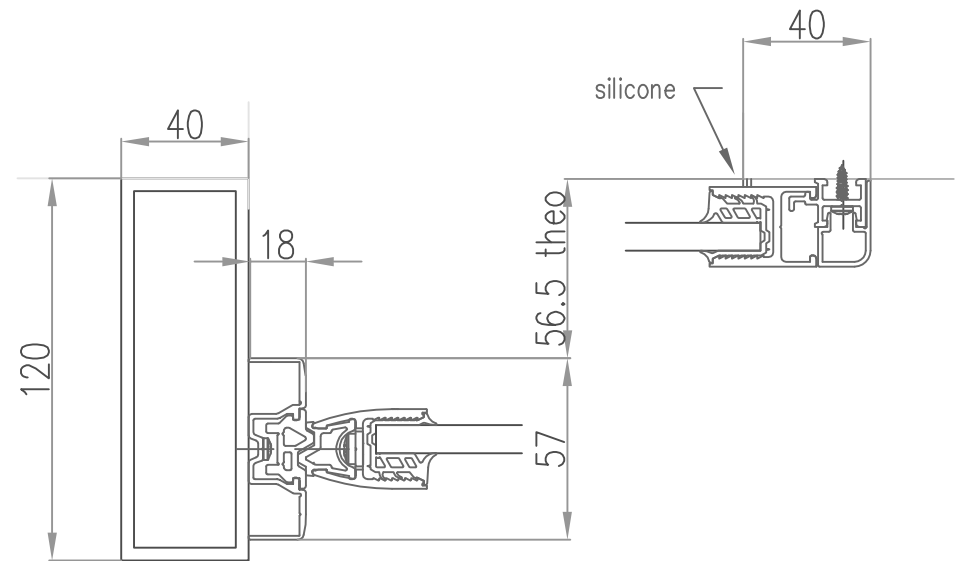
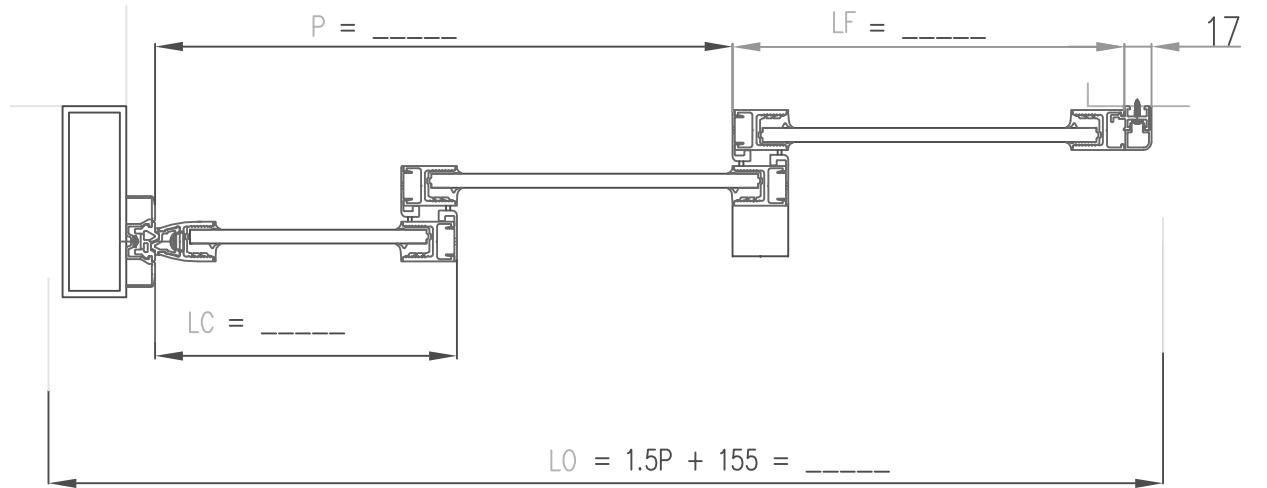
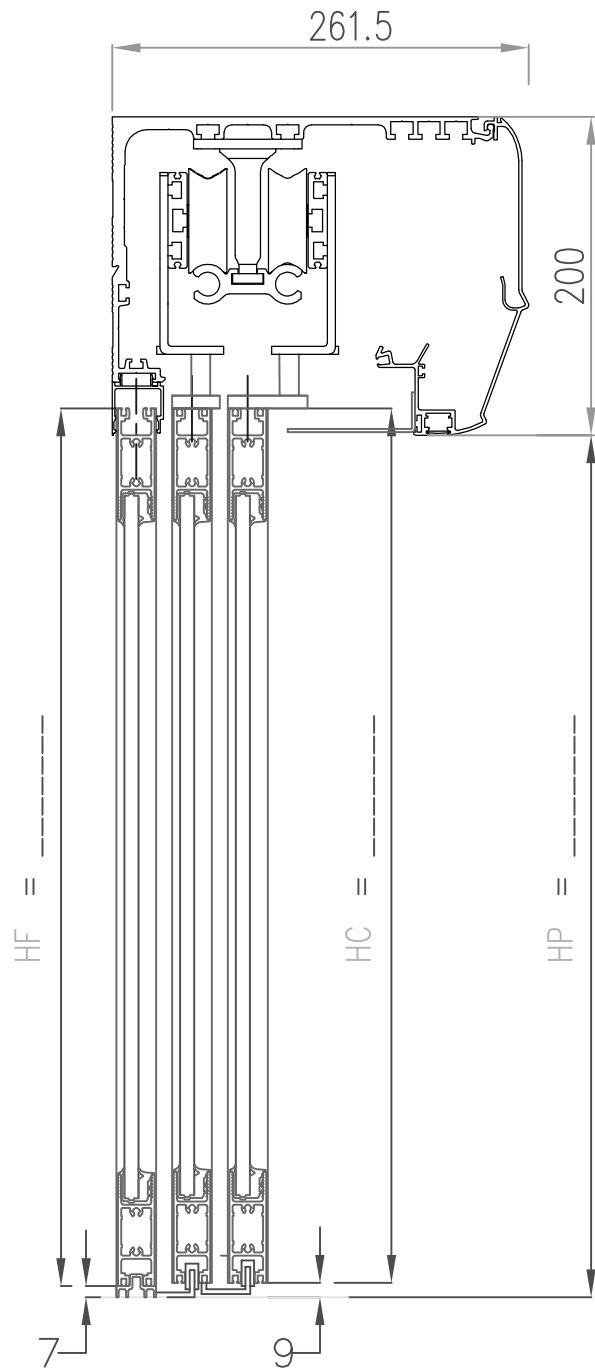
DIVA 5

DATE: 16/11/10

T S G25 R35



PE 7246 / Ind: -



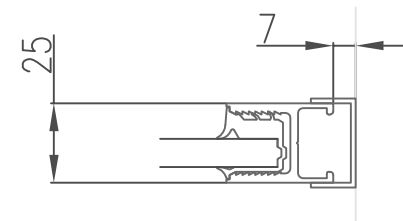
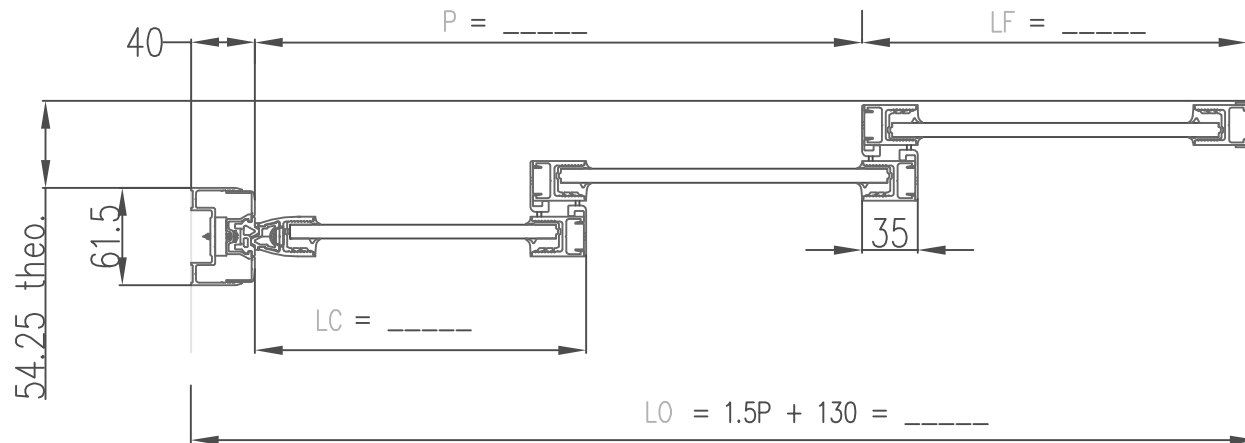
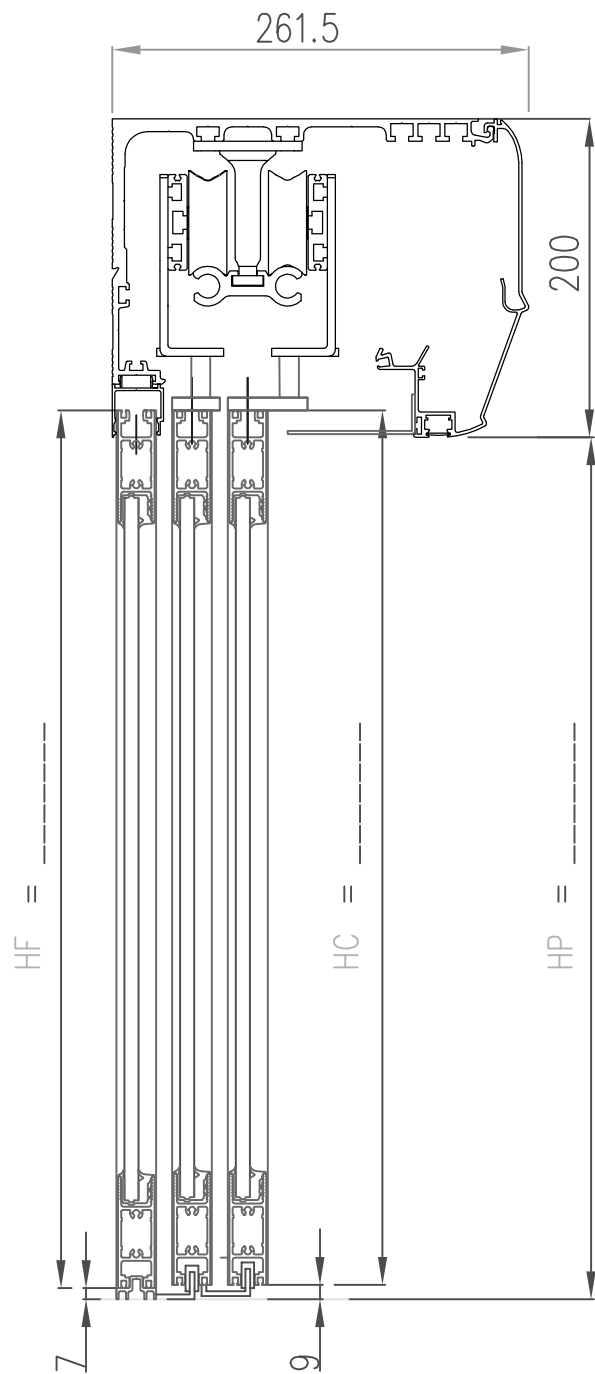
F2
HF = HP + 10 = _____
LF = 1/2P + _____ = _____
C1
HC = HP + 10 = _____
LC = 1/2P + 36.5 = _____
C2
HC = HP + 10 = _____
LC = 1/2P + 33.5 = _____

DIVA 5

DATE: 19/07/11

T S G25 R35+F

PE 7247 / Ind: A



F1
HF = HP + 10 = _____
LF = 1/2P + ___ = _____
C1
HC = HP + 10 = _____
LC = 1/2P + 36.5 = _____
C2
HC = HP + 10 = _____
LC = 1/2P + 33.5 = _____

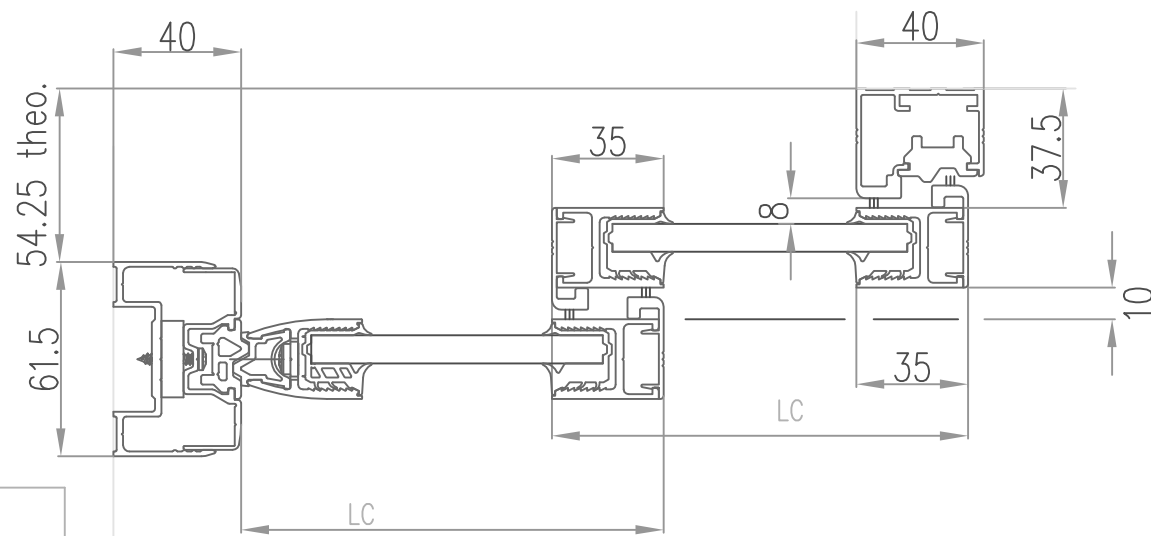
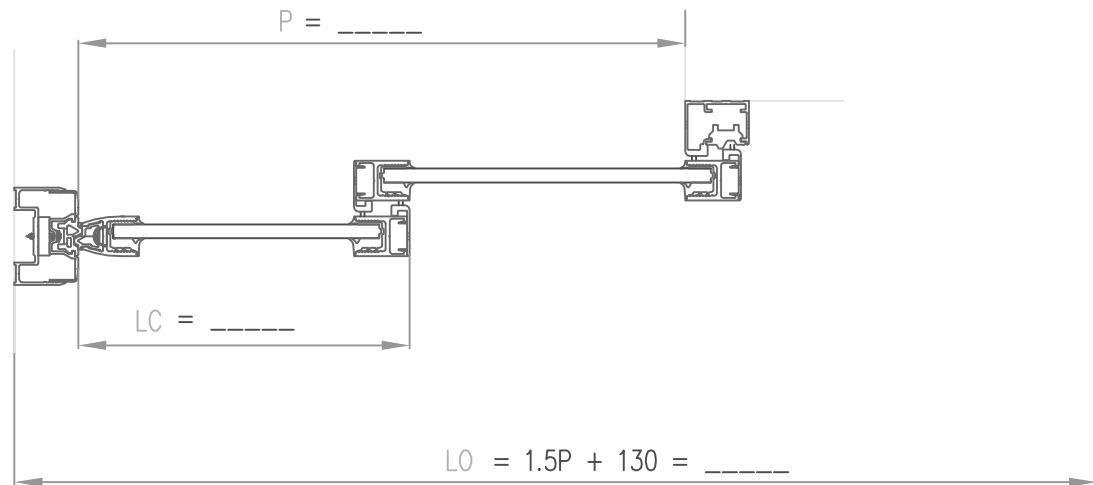
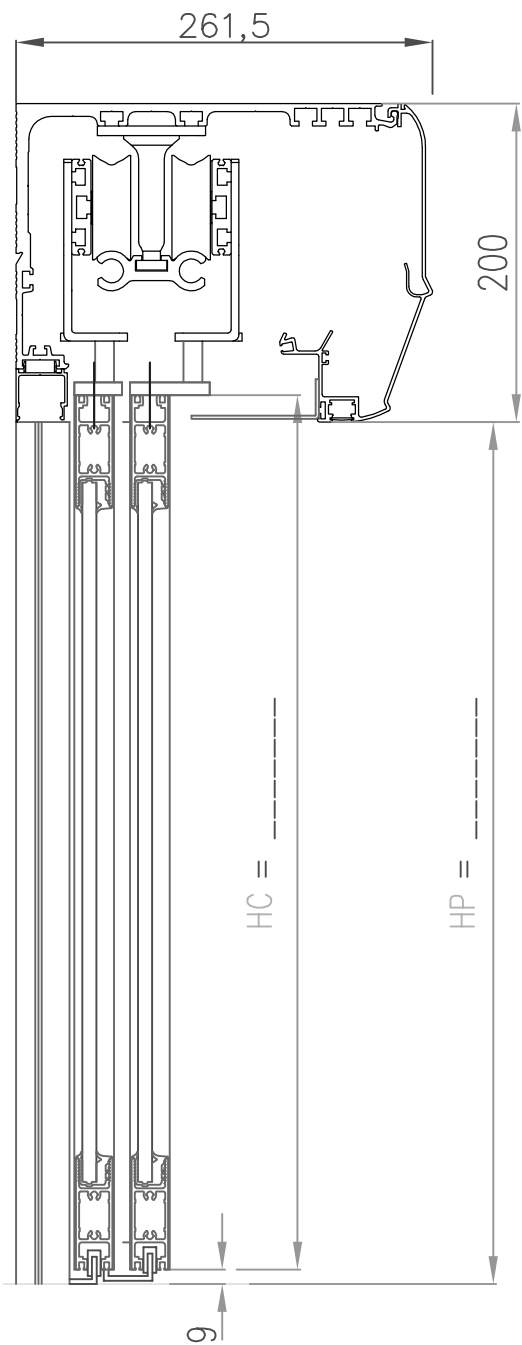
DIVA 5

DATE: 19/07/11

T S G25 R35+F


PORTALP

PE 7248 / Ind: A



C1
HC = HP + 10 = -----
LC = 1/2P + 36.5 = -----
C2
HC = HP + 10 = -----
LC = 1/2P + 33.5 = -----

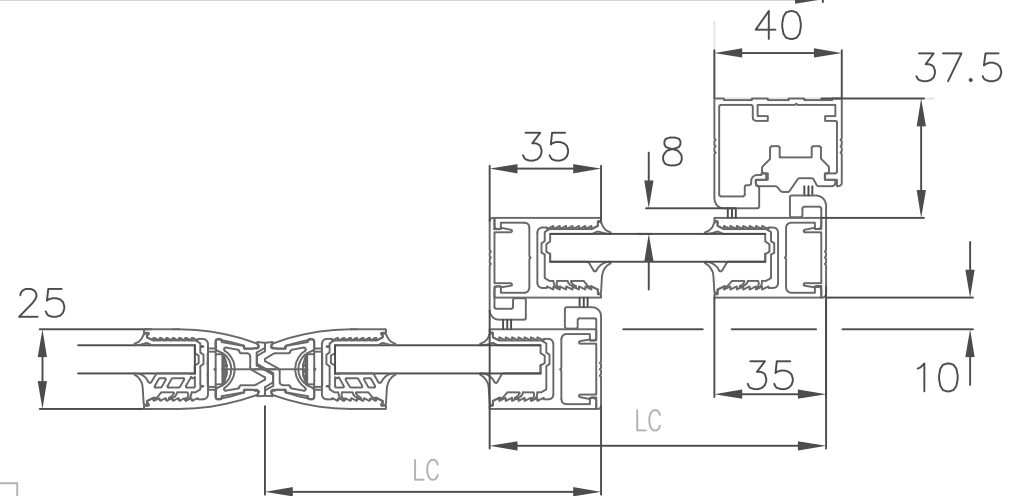
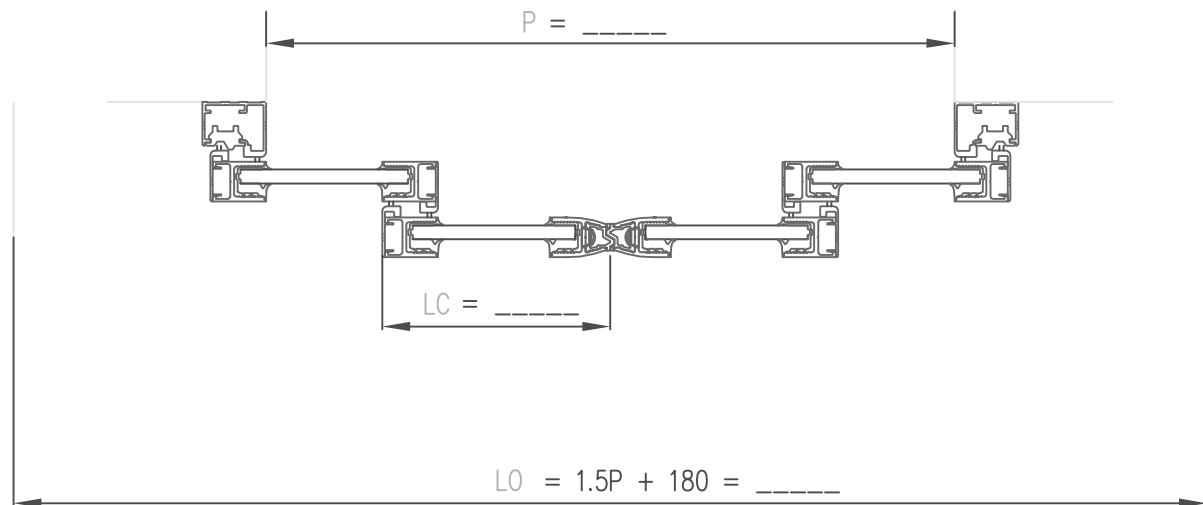
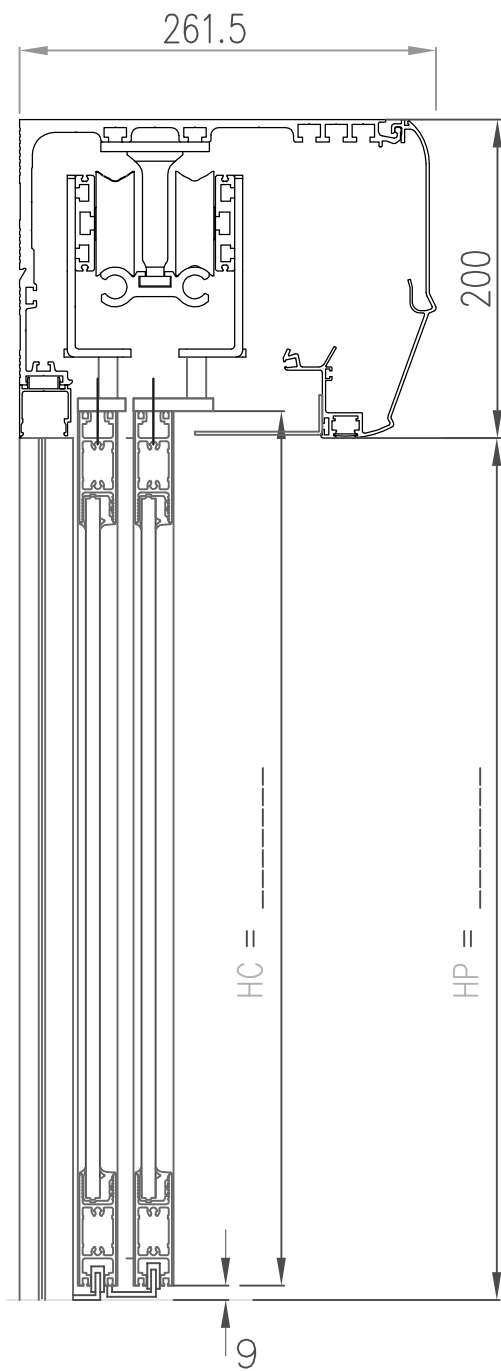
DIVA 5

DATE: 16/11/10

T S G25 R35



PE 7249 / Ind: -



C1
HC = HP + 10 = _____
LC = 1/4P + 36.5 = _____
C2
HC = HP + 10 = _____
LC = 1/4P + 33.5 = _____

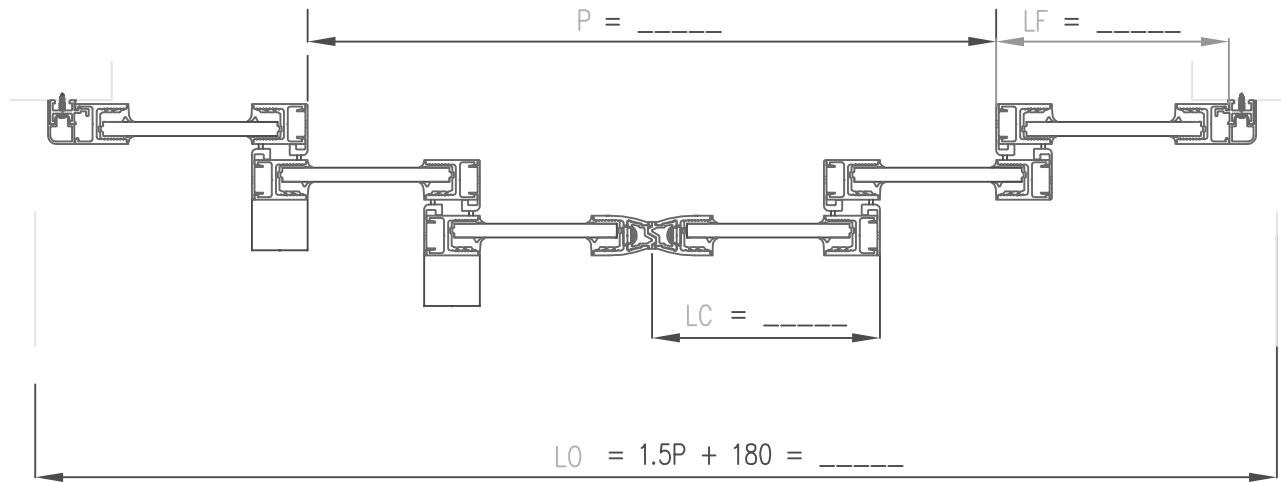
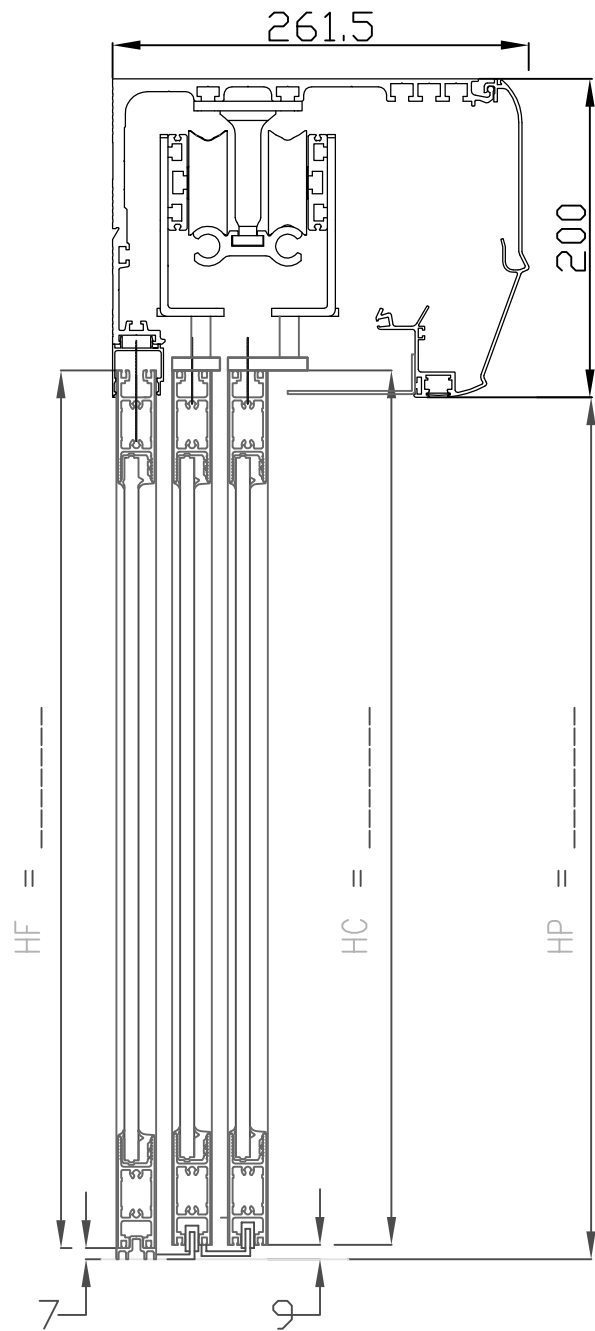
DIVA 5

DATE: 16/11/10

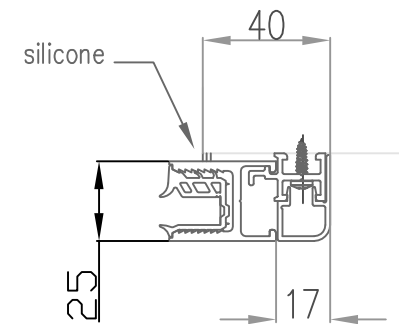
T D G25 R35



PE 7250 / Ind: -



F2
HF = HP + 10 = _____
LF = 1/4P + _____ = _____
C1
HC = HP + 10 = _____
LC = 1/4P + 36.5 = _____
C2
HC = HP + 10 = _____
LC = 1/4P + 33.5 = _____



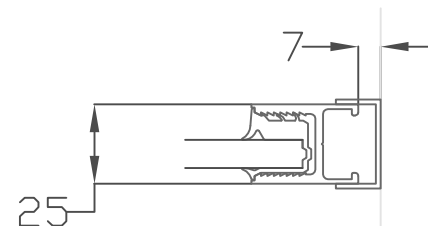
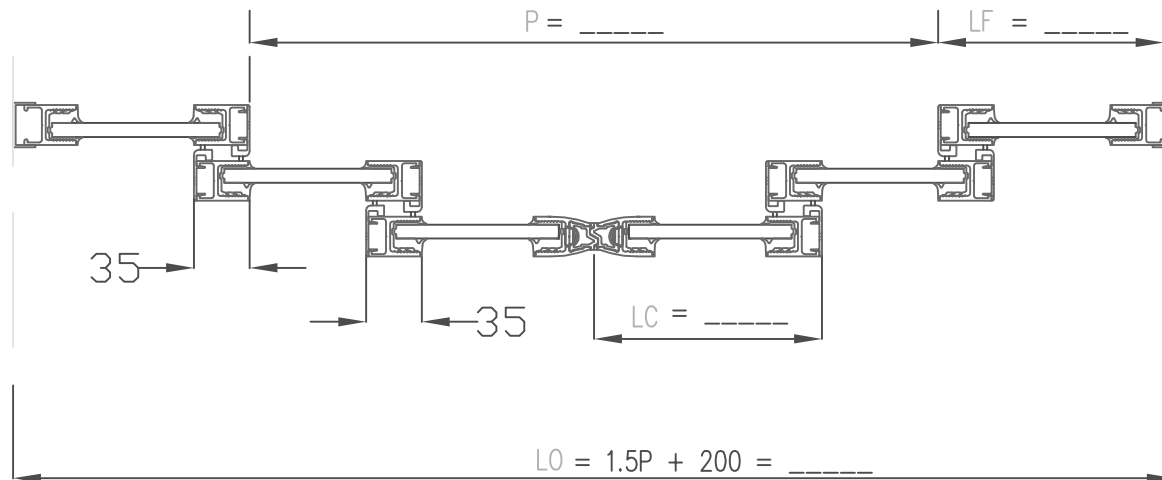
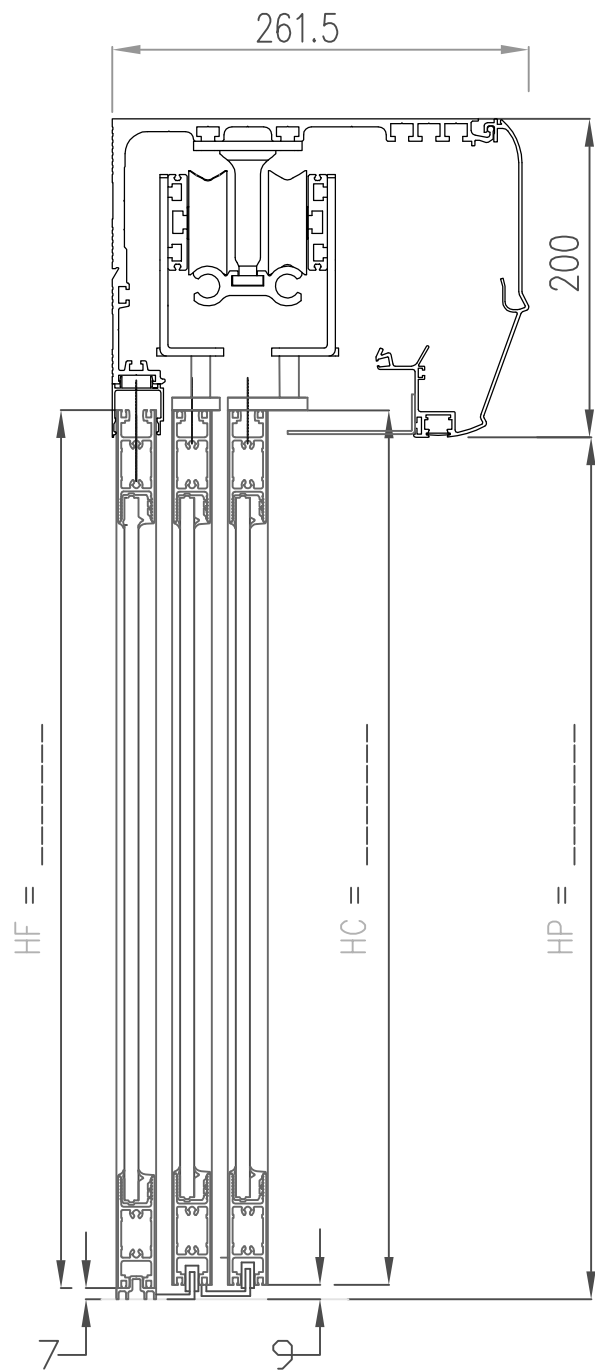
DIVA 5

DATE: 16/11/10

T D G25 R35+F


PORTALP

PE 7251 / Ind: A



F1
HF = HP + 10 = _____
LF = 1/4P + ____ = _____
C1
HC = HP + 10 = _____
LC = 1/4P + 36.5 = _____
C2
HC = HP + 10 = _____
LC = 1/4P + 33.5 = _____

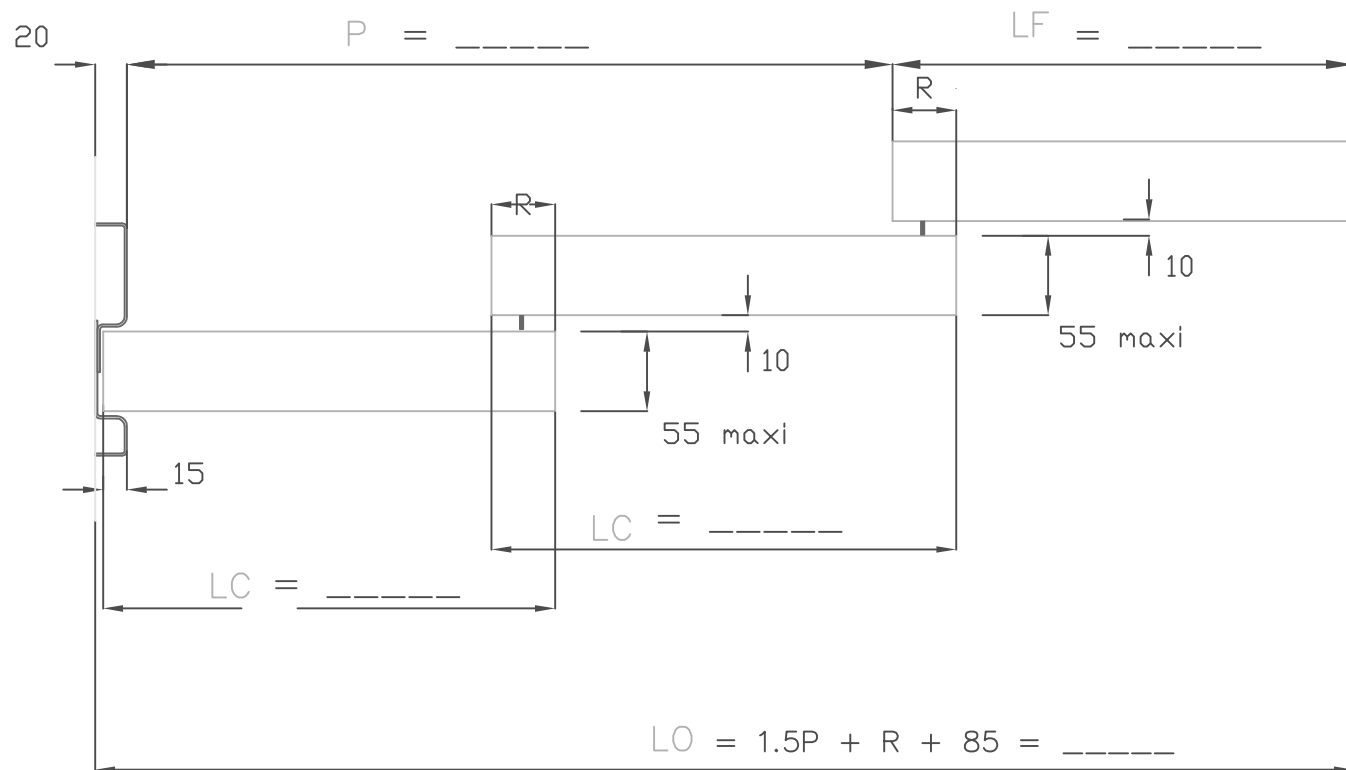
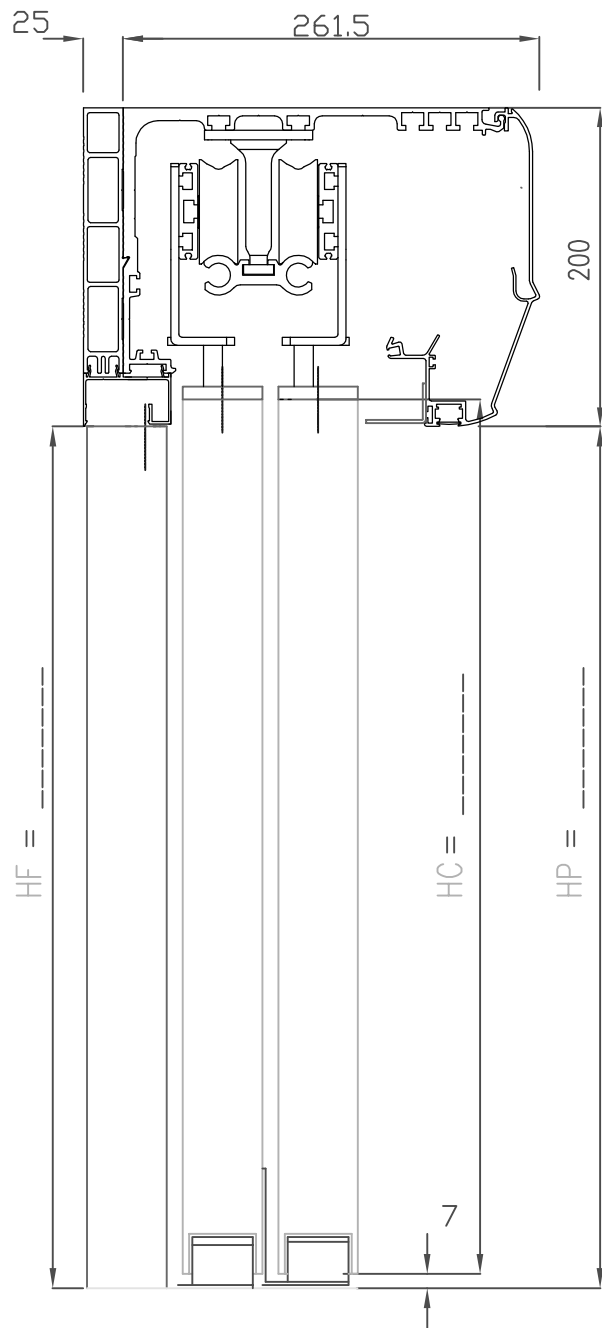
DIVA 5

DATE: 19/07/11

T D G25 R35+F'


PORTALP

PE 7252 / Ind: A



$$HF = HP = \text{-----}$$

$$LF = 1/2P + \text{---} = \text{-----}$$

$$HC = HP + 10 = \text{-----}$$

$$LC = 1/2P + R + 7.5 = \text{-----}$$

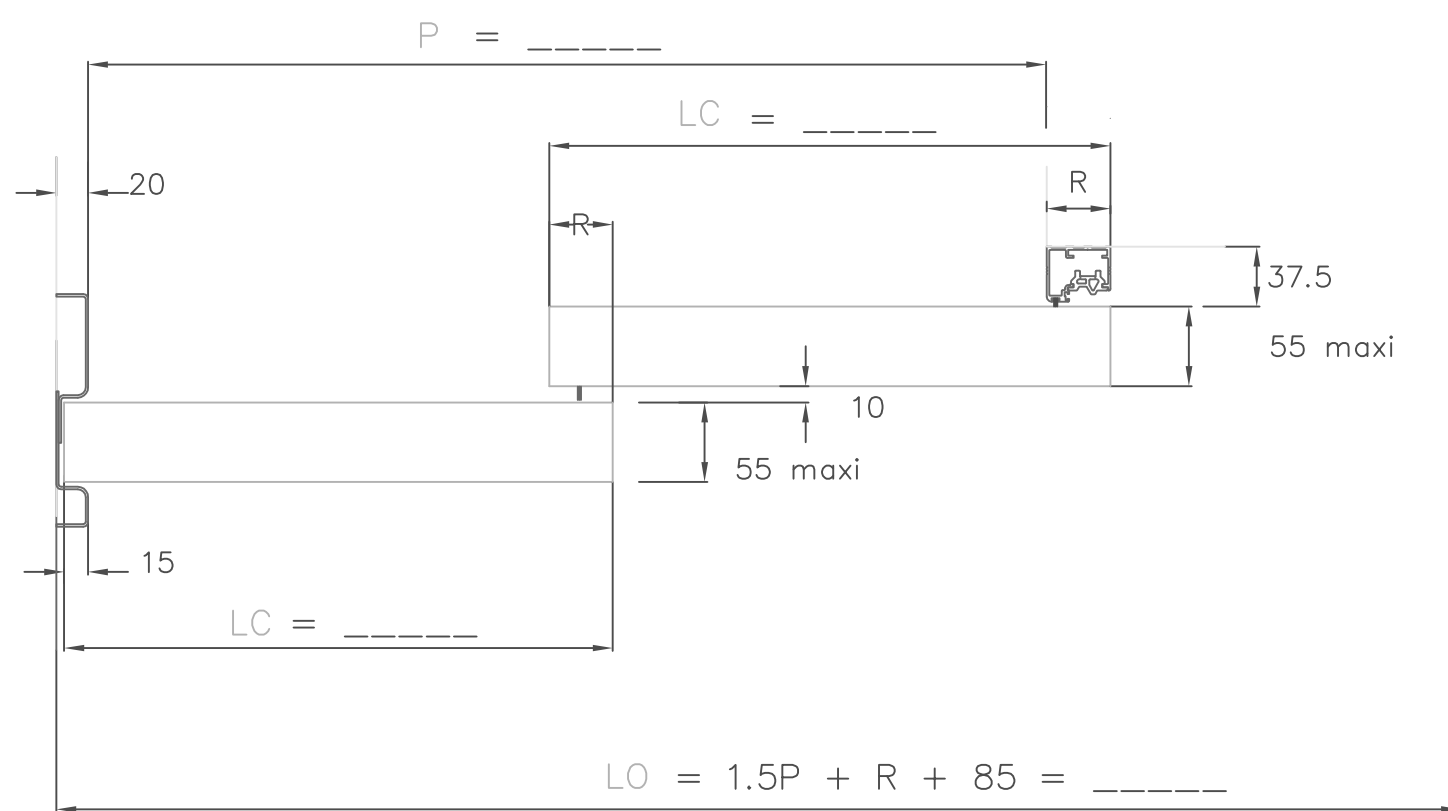
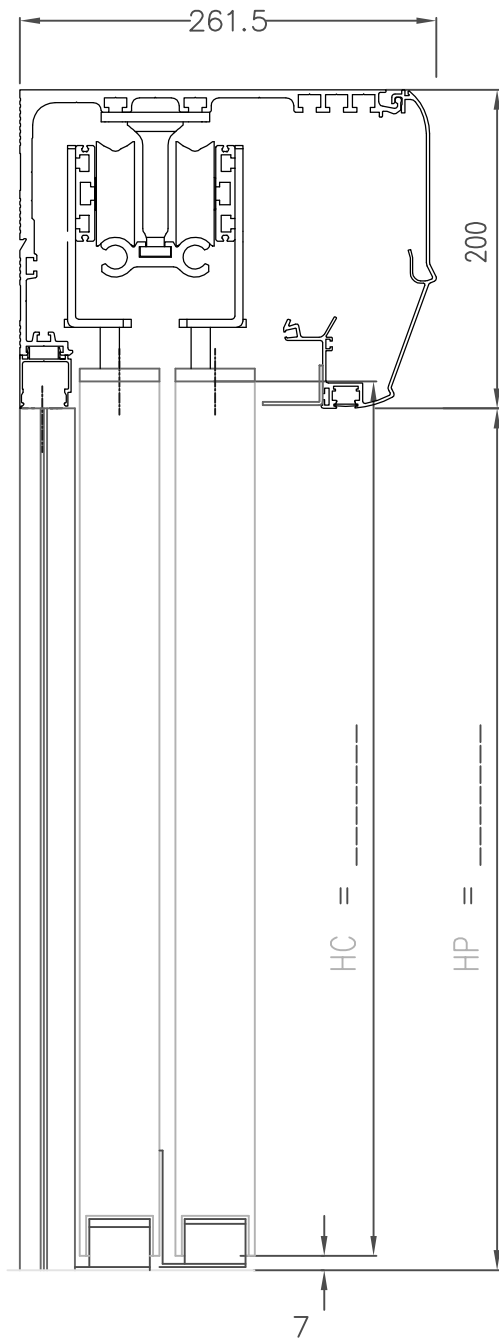
DIVA 5

DATE: 19/07/11

T S GX +F



PE 7261 / Ind: A



$HC = HP + 10 = \text{_____}$
 $LC = 1/2P + R + 7.5 = \text{_____}$

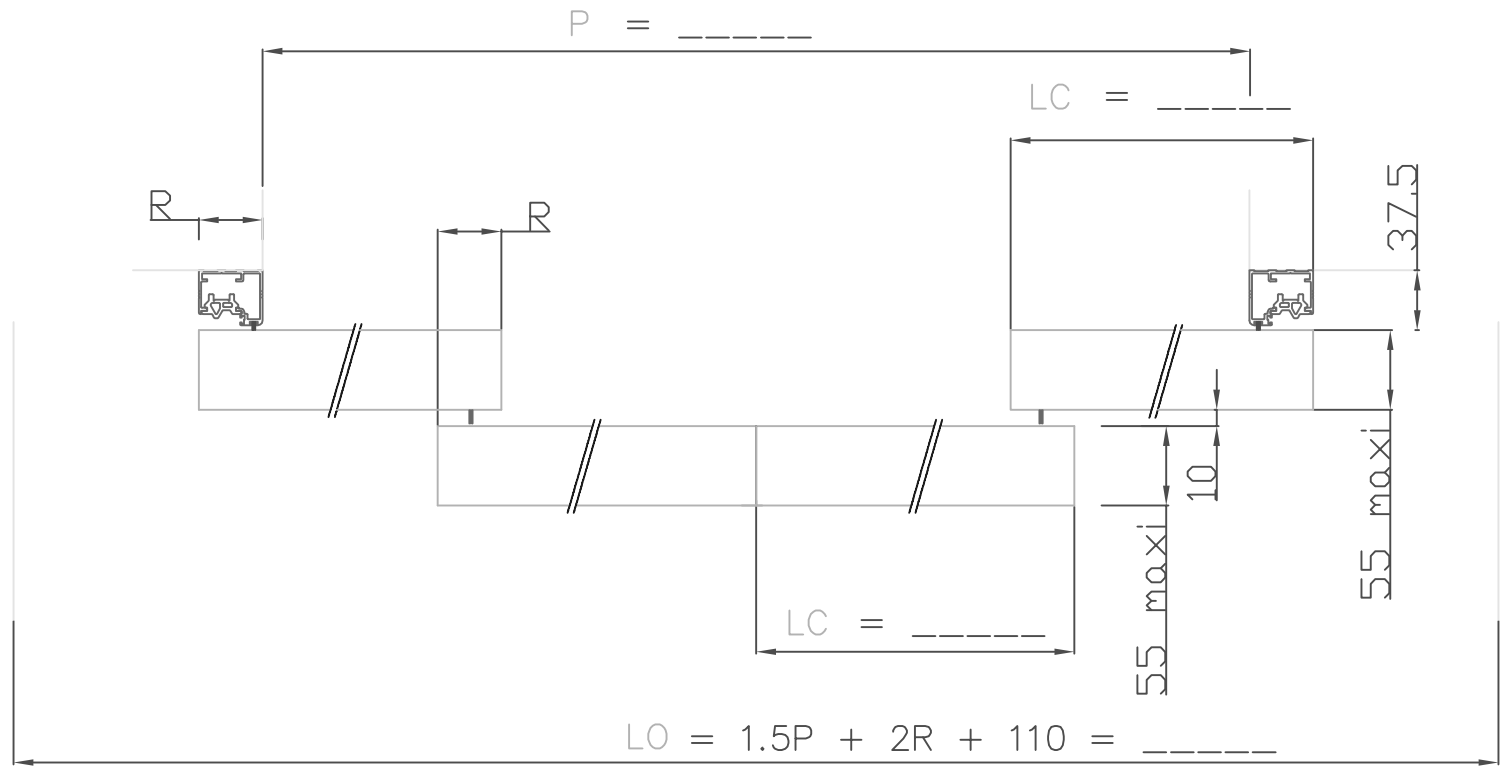
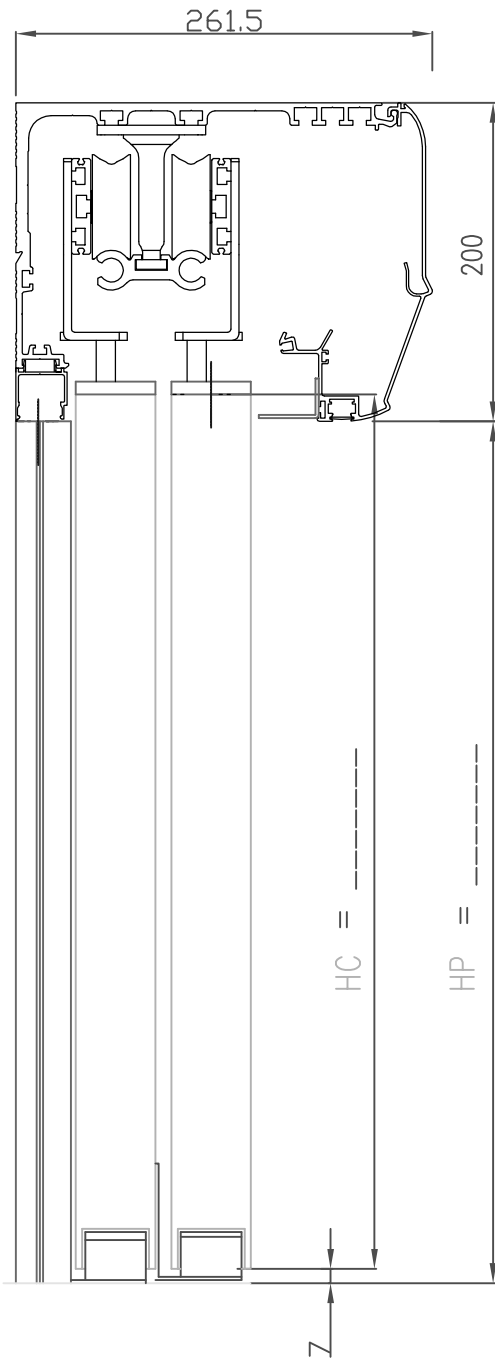
DIVA 5

DATE: 19/07/11

T S GX



PE 7262 / Ind: A



HC = HP + 10 = -----

LC = 1/4P + R = -----

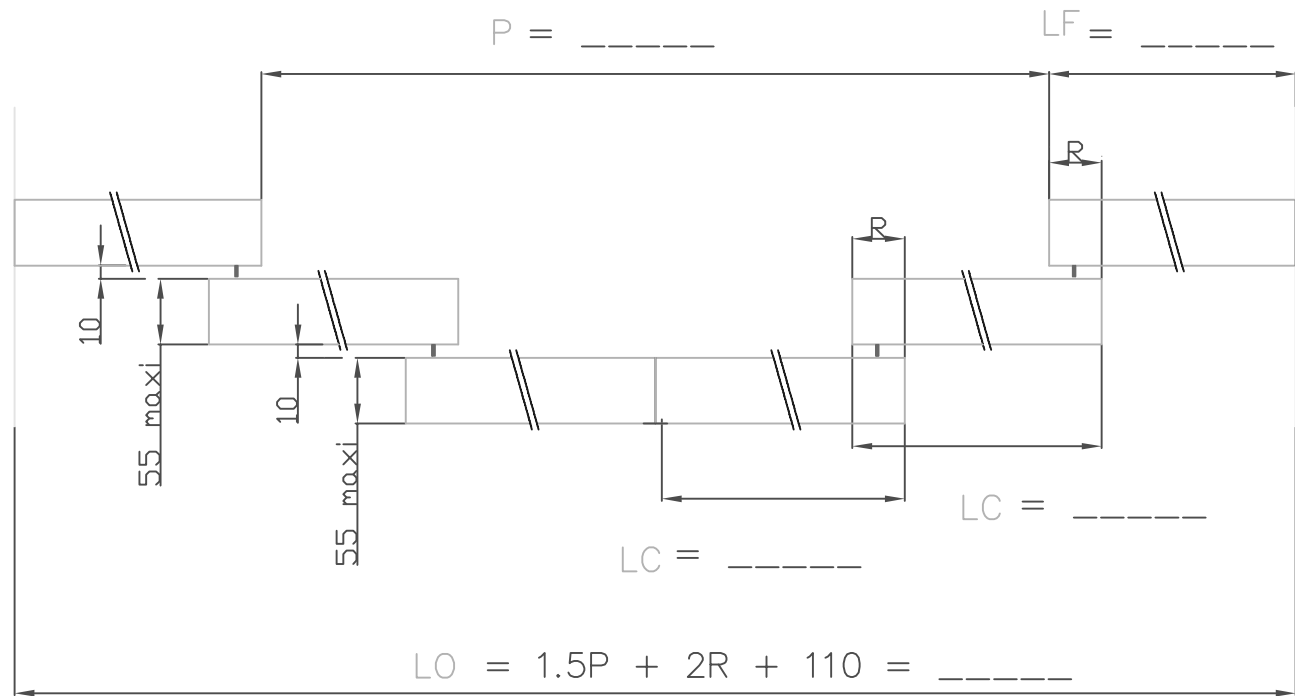
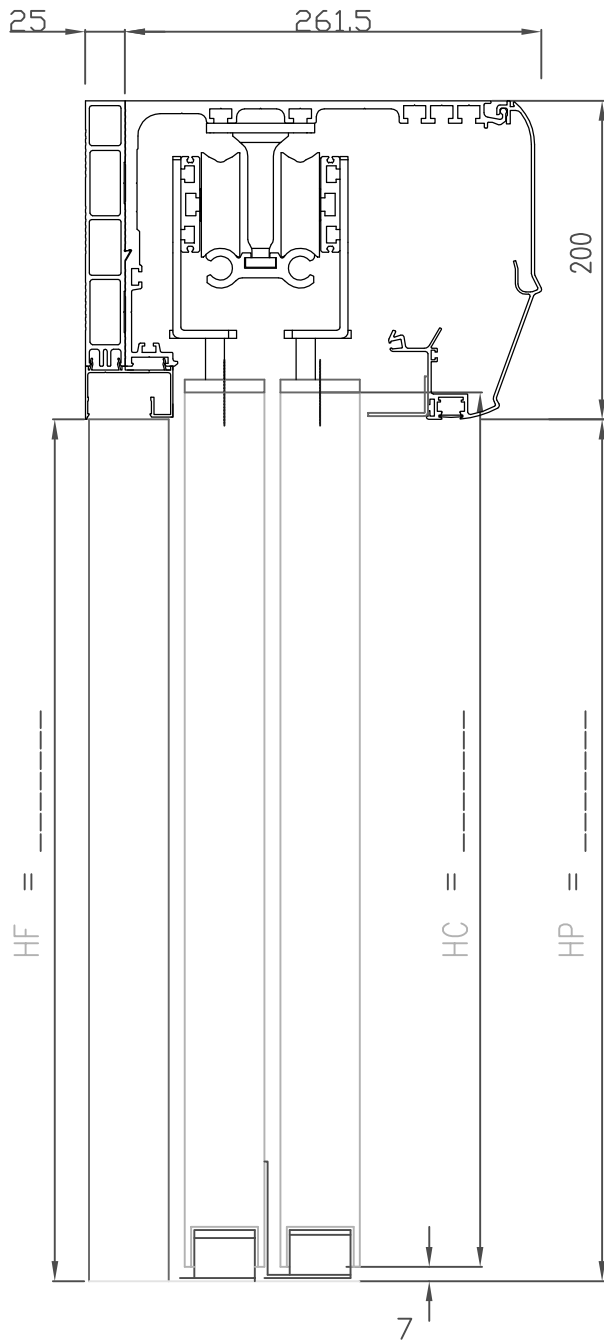
DIVA 5

DATE: 19/07/11

T D GX



PE 7263 / Ind: A



$$HF = HP = \underline{\hspace{2cm}}$$

$$LF = 1/4P + \underline{\hspace{1cm}} = \underline{\hspace{2cm}}$$

$$HC = HP + 10 = \underline{\hspace{2cm}}$$

$$LC = 1/4P + R = \underline{\hspace{2cm}}$$

DIVA 5

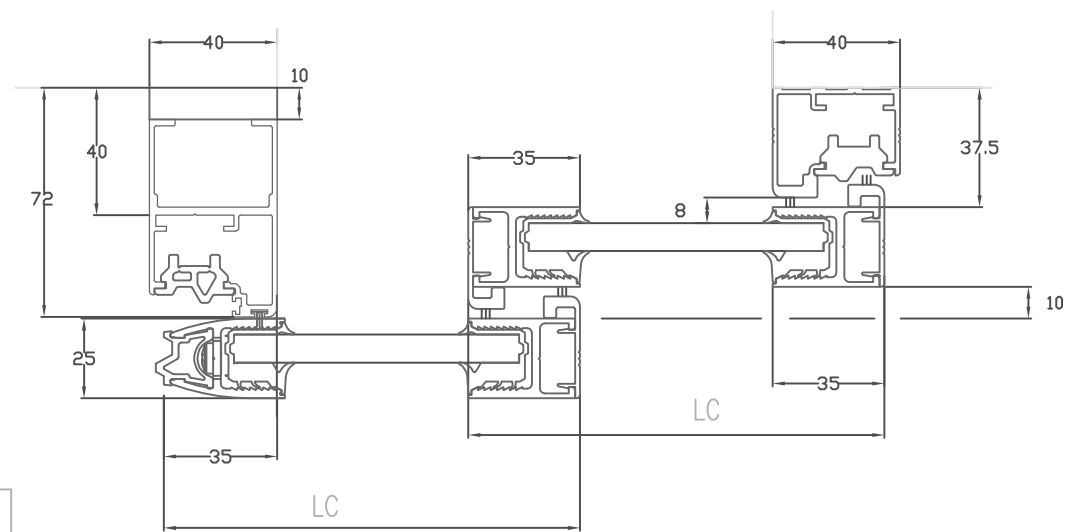
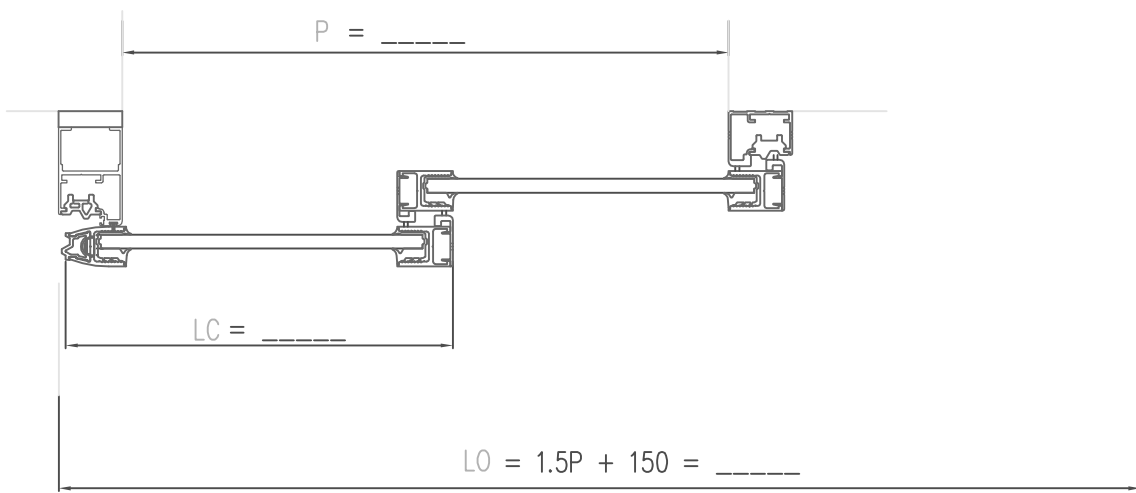
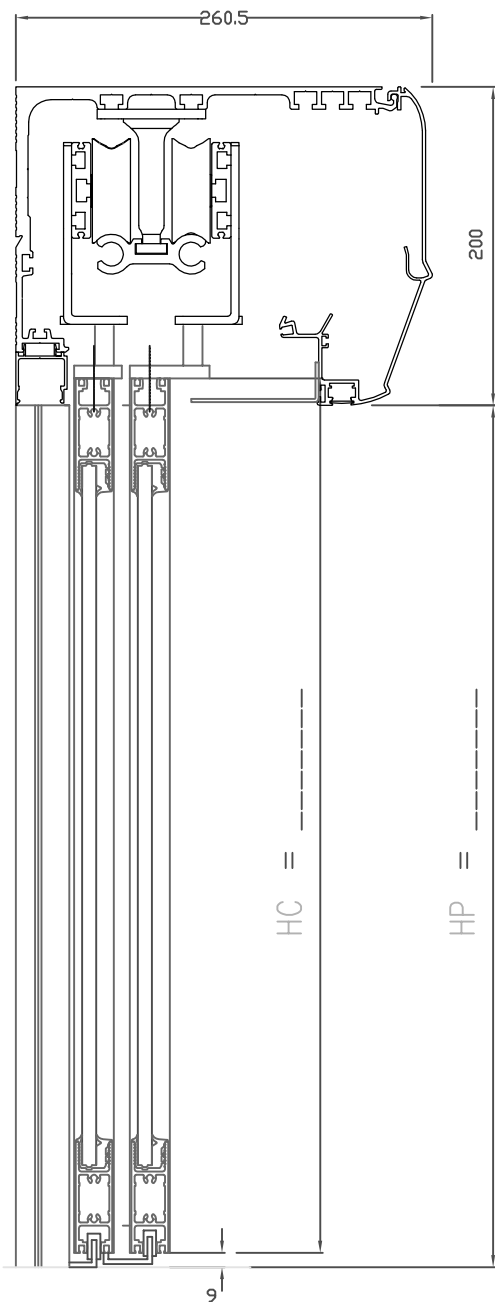
DATE: 19/07/11

T D GX +F



PORTALP

PE 7264 / Ind: A



C1	
HC =	HP + 10 = -----
LC =	1/2P + 54 = -----
C2	
HC =	HP + 10 = -----
LC =	1/2P + 51 = -----

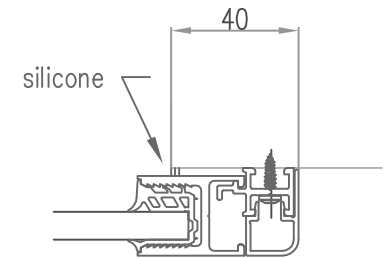
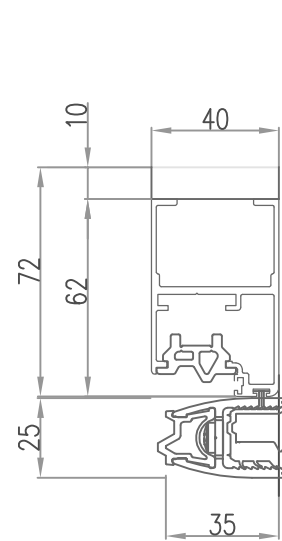
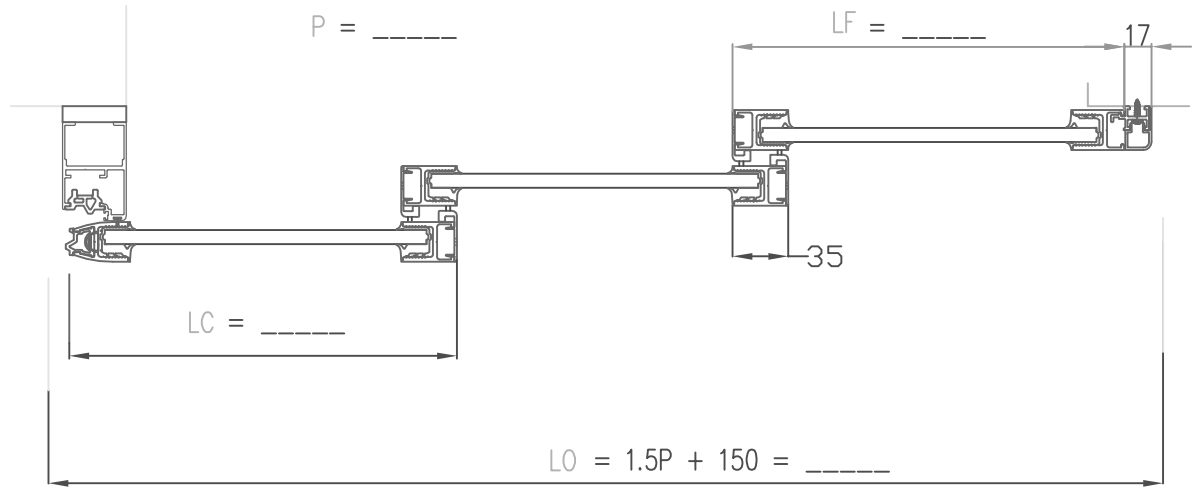
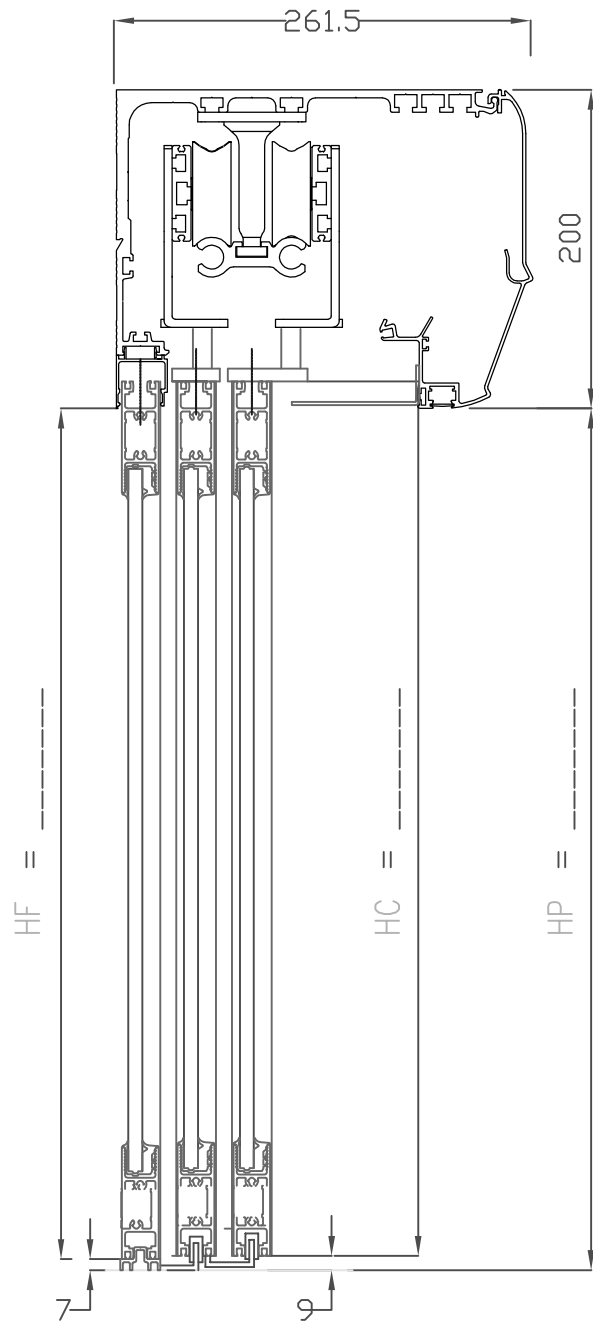
DIVA 5

DATE: 14/12/2011

T S G25 R35 R



PE 7582 / Ind: A



F2
$HF = HP + 10 = \text{_____}$ $LF = 1/2P + \text{___} = \text{_____}$
C1
$HC = HP + 10 = \text{_____}$ $LC = 1/2P + 54 = \text{_____}$
C2
$HC = HP + 10 = \text{_____}$ $LC = 1/2P + 51 = \text{_____}$

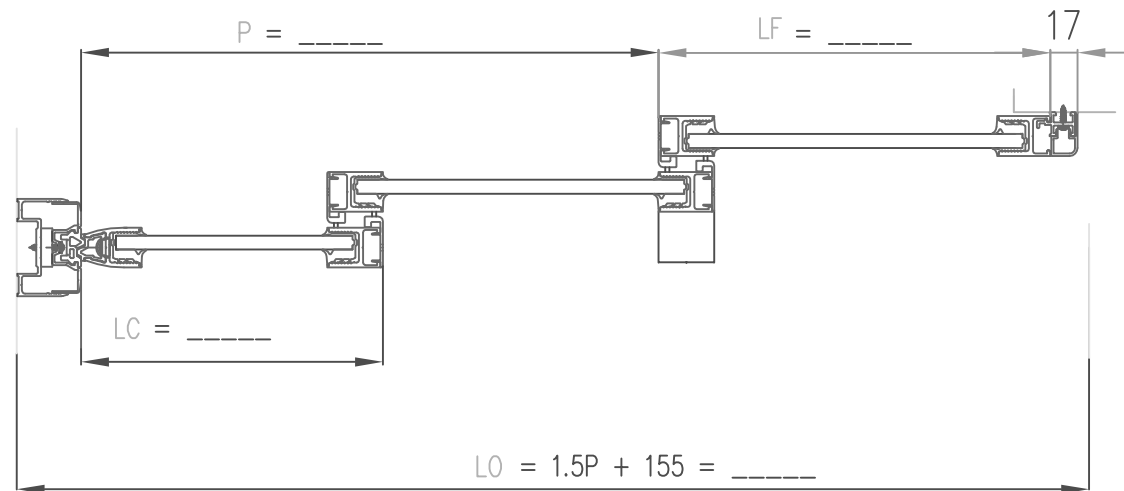
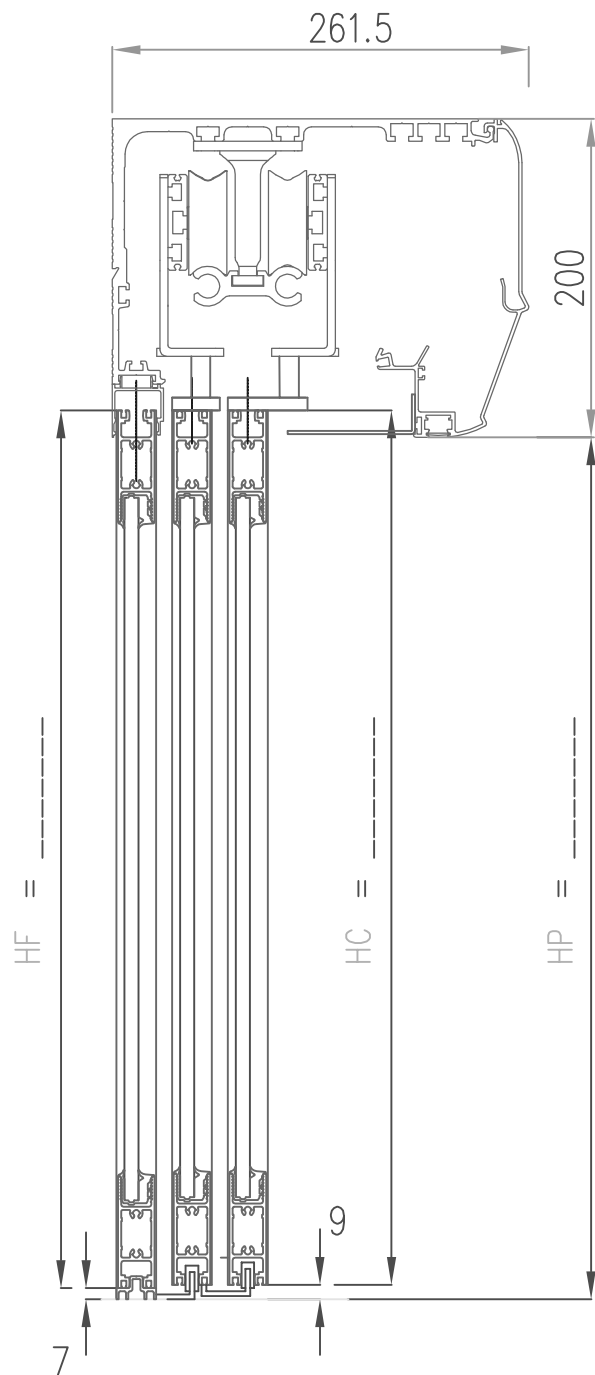
DIVA 5

DATE: 14/12/2011

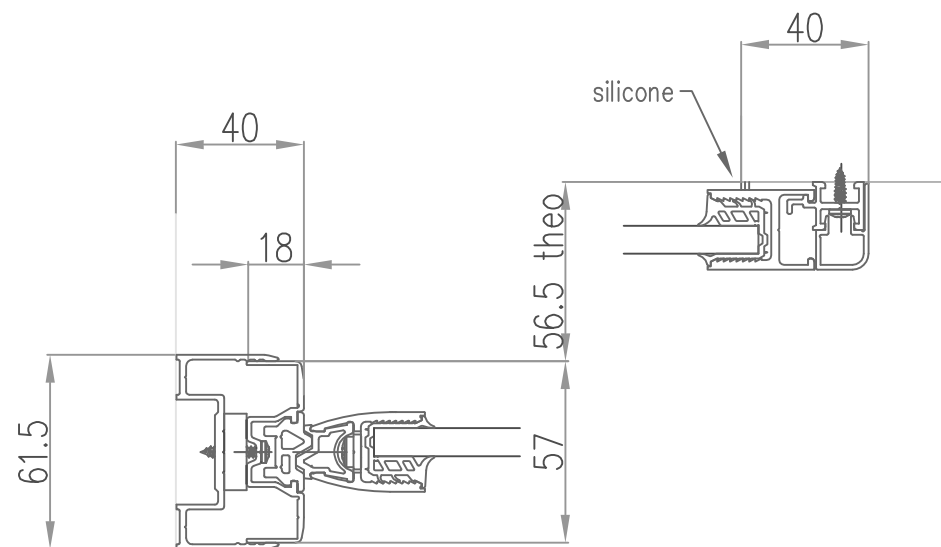
T S G25 R35+F + R



PE 7583 / Ind: B



F2
$HF = HP + 10 = \dots$
$LF = 1/2P + \dots = \dots$
C1
$HC = HP + 10 = \dots$
$LC = 1/2P + 36.5 = \dots$
C2
$HC = HP + 10 = \dots$
$LC = 1/2P + 33.5 = \dots$



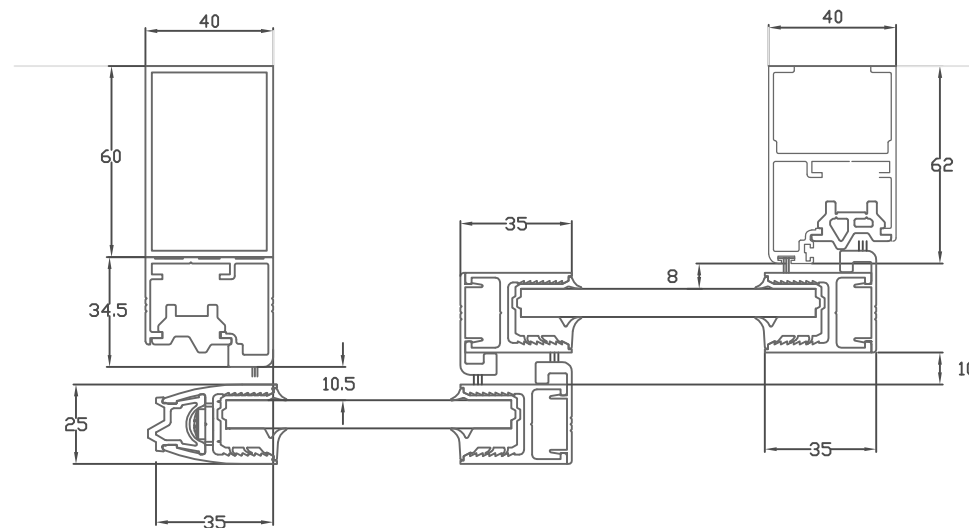
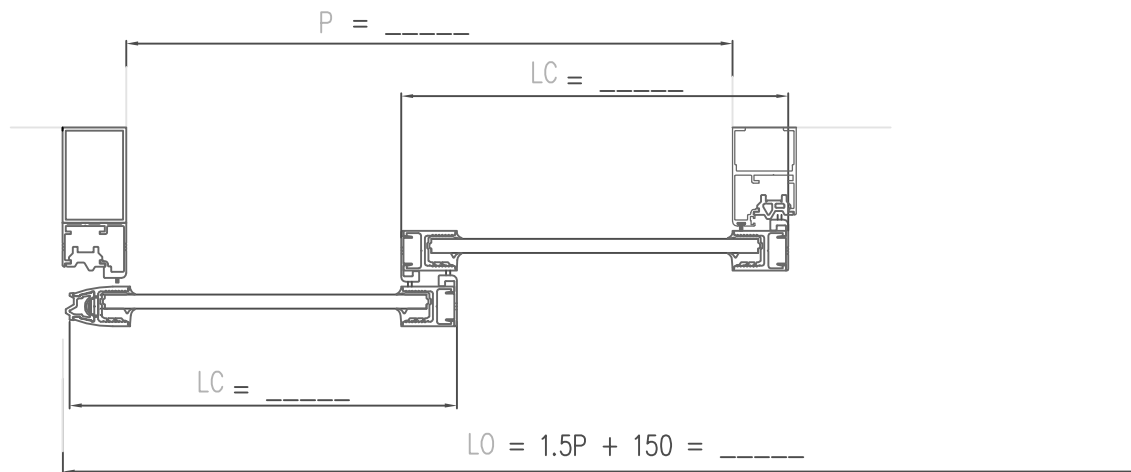
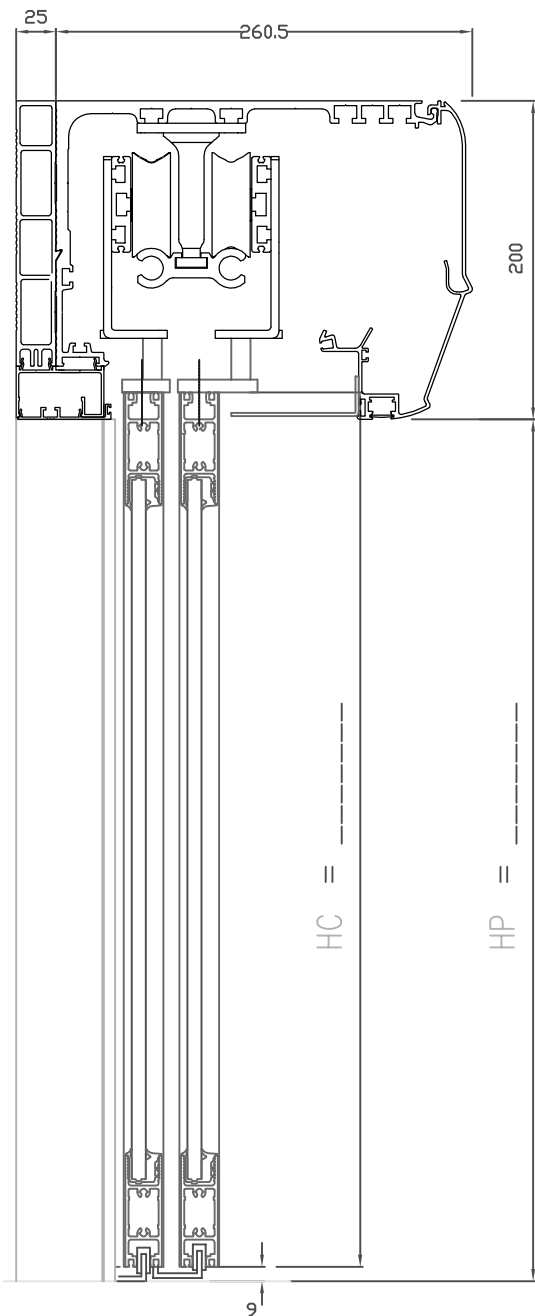
DIVA 5

DATE: 19/07/11

T S G25 R35+F


PORTALP

PE 7962 / Ind: -



C1
HC = HP + 10 = _____
LC = 1/2P + 54 = _____
C2
HC = HP + 10 = _____
LC = 1/2P + 51 = _____

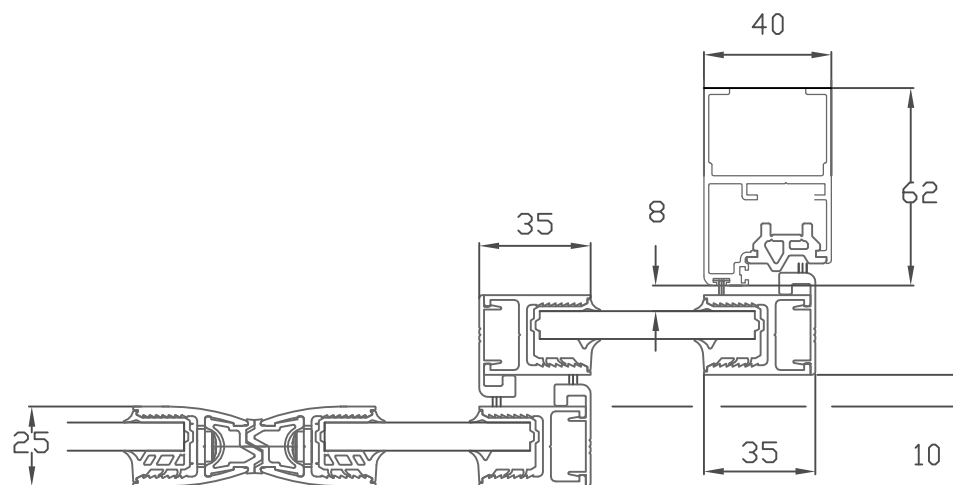
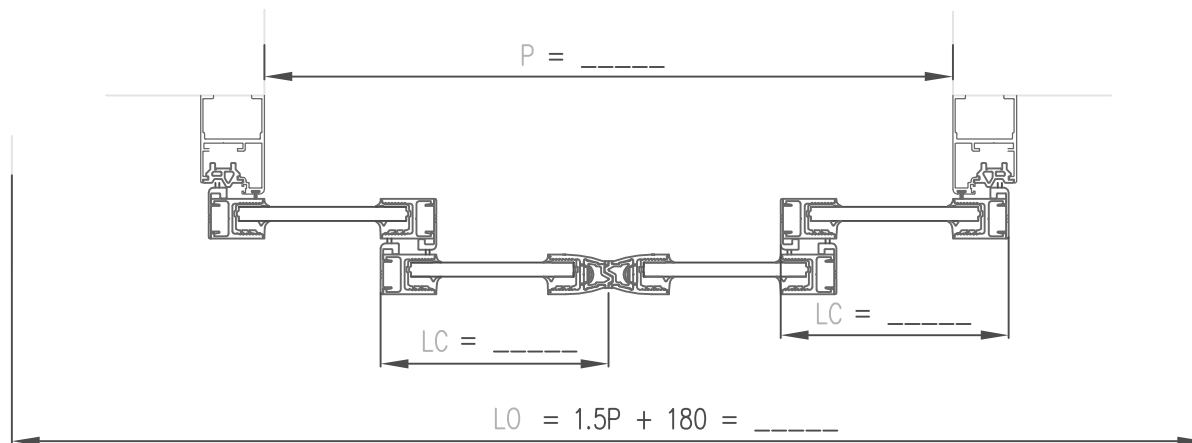
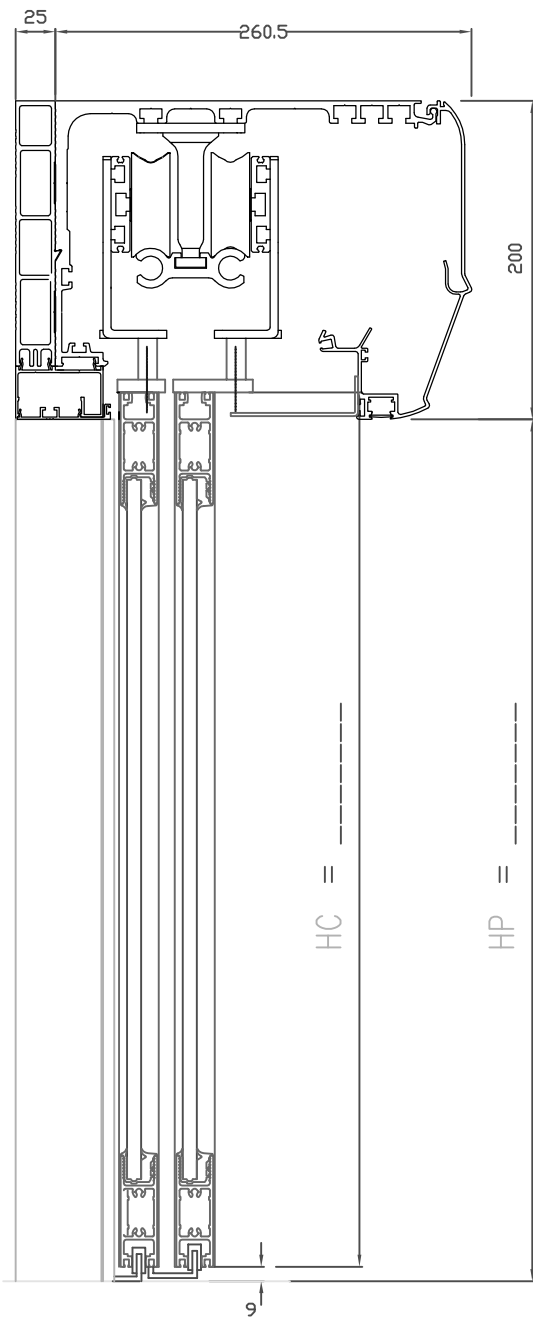
DIVA 5

DATE: 16/10/2012

T S G25 R35 + R



PE 8747 / Ind: A



C1
HC = HP + 10 = _____
LC = 1/4P + 36.5 = _____
C2
HC = HP + 10 = _____
LC = 1/4P + 33.5 = _____

DIVA 5

DATE: 16/07/13

T D G25 R35 + R PE 8748 / Ind: B

