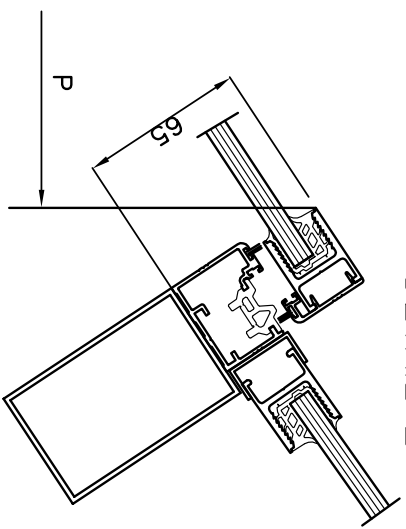


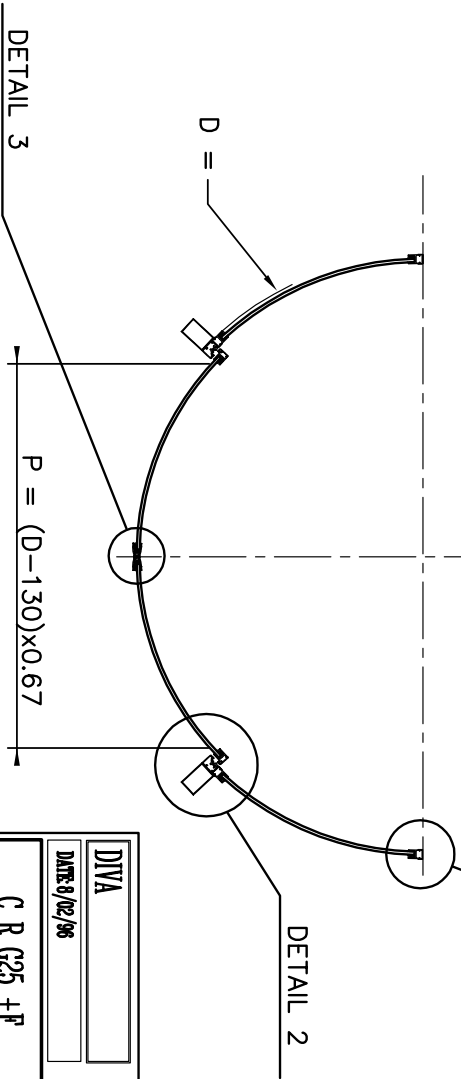
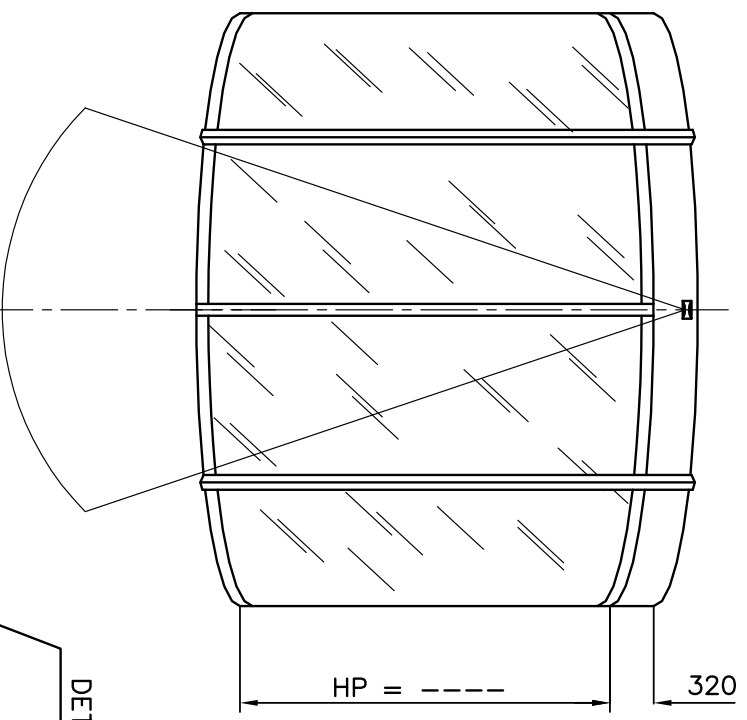
DETAIL 1



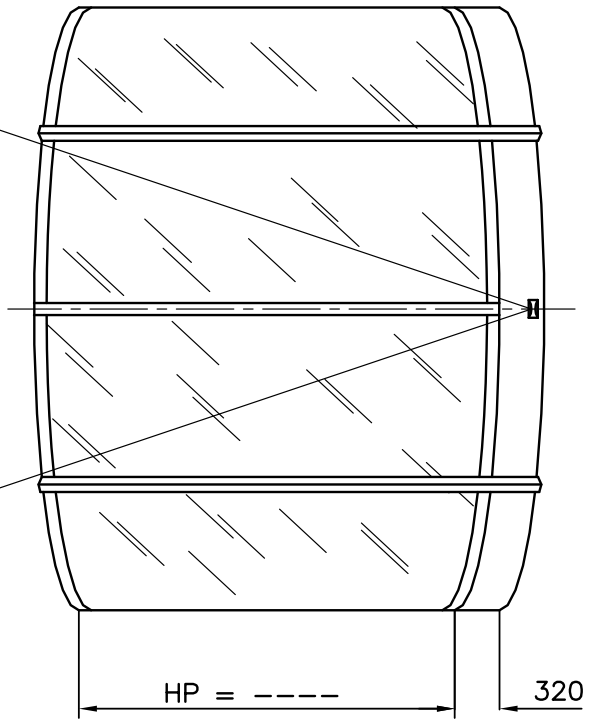
DETAIL 2



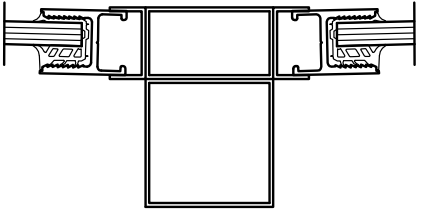
DETAIL 3



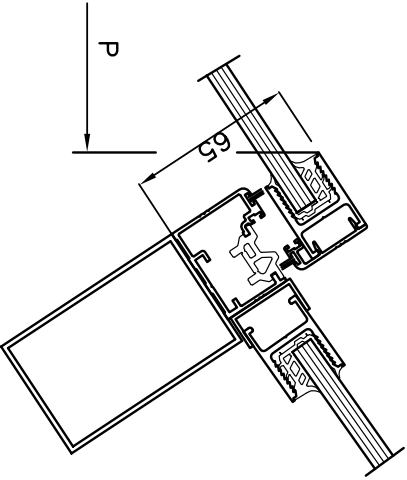
DIVA	
DATE: 8/02/96	
C R G25 +F	PE 1074 / Ind.C



DETAIL 1

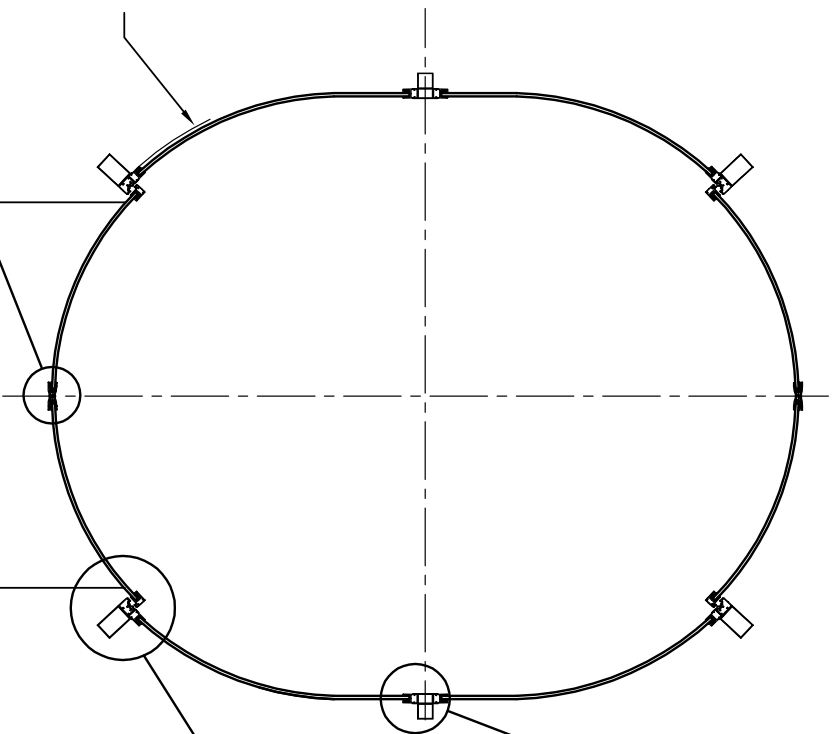


DETAIL 2



DETAIL 3

D =



DETAIL 3



DETAIL 2

DETAIL 1

DIVA

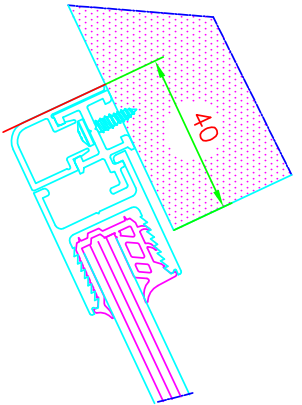
DATE: 8/02/98

CRD G25 +F

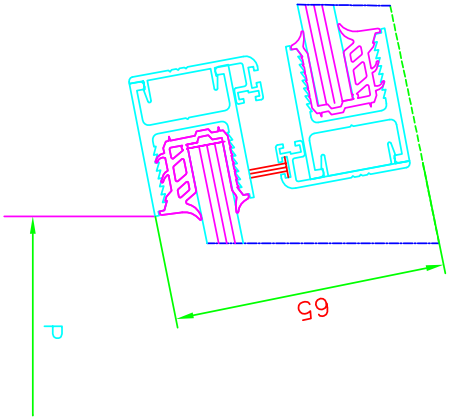


PE 1148 / Ind.C

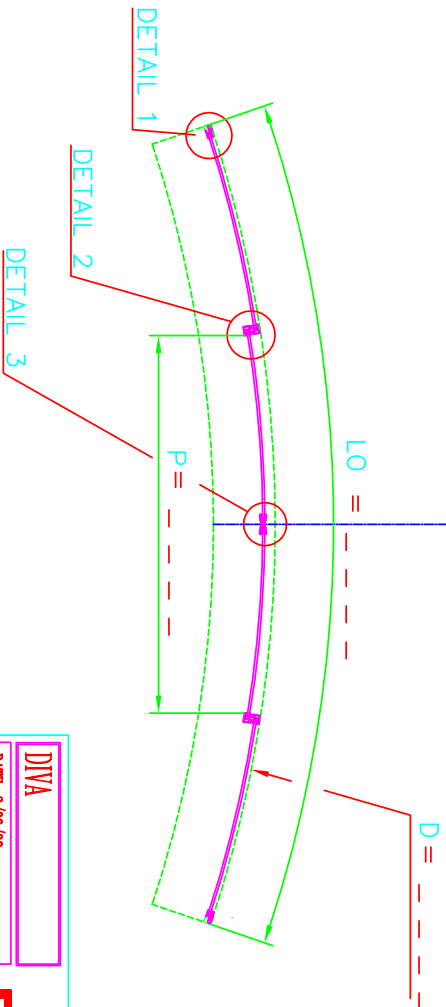
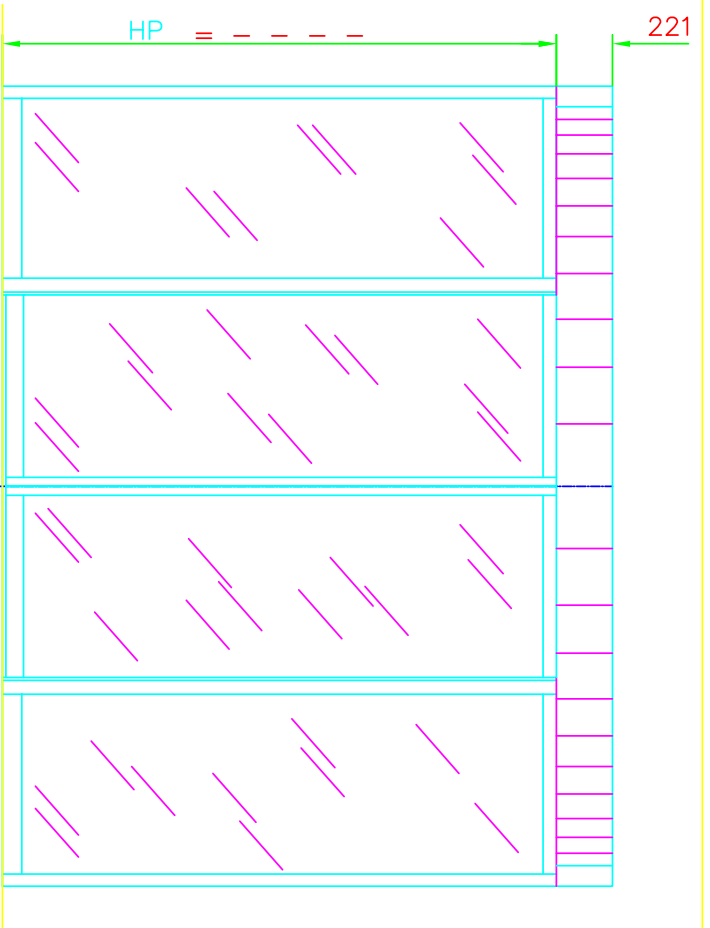
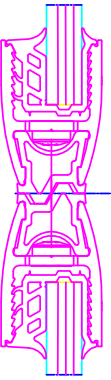
DETAIL 1



DETAIL 2



DETAIL 3



DIVA

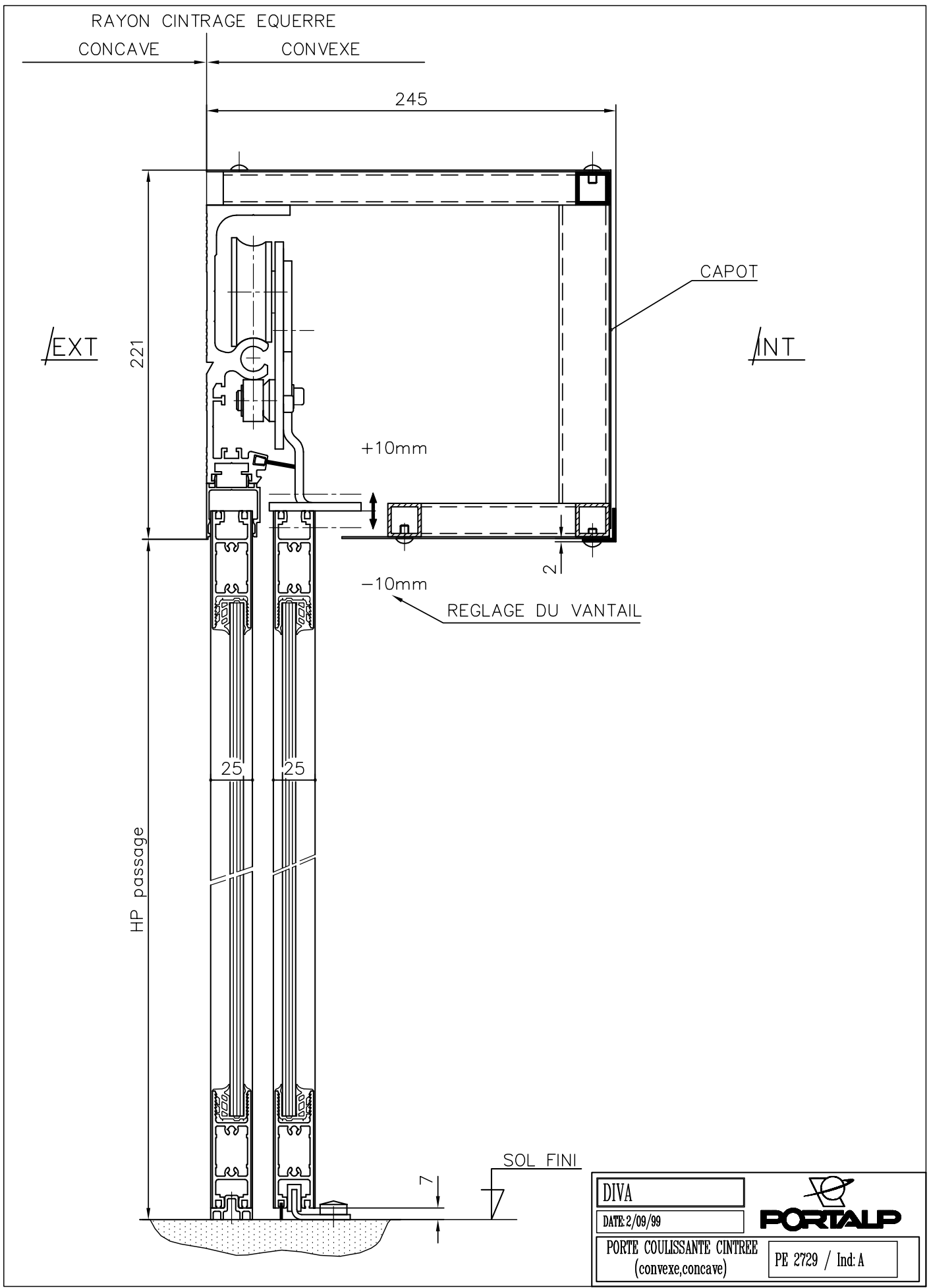
DATE: 2/09/89


C C G25 + F Cxe

**PORTALP**

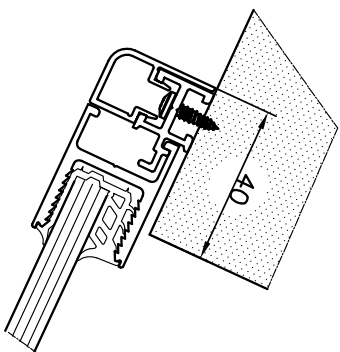


PR 2728 / Ind.C

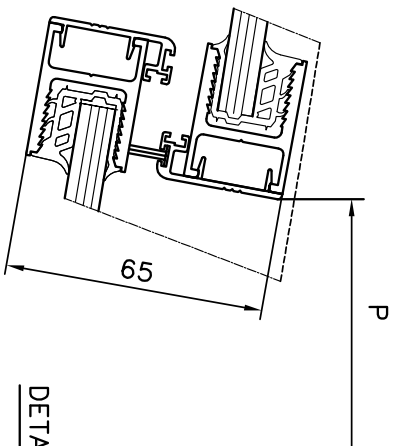


DIVA		
DATE: 2/09/99		
PORTE COULISSANTE CINTREE (convexe, concave)		PE 2729 / Ind: A

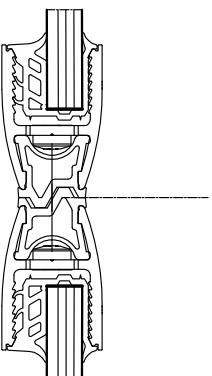
DETAIL 1



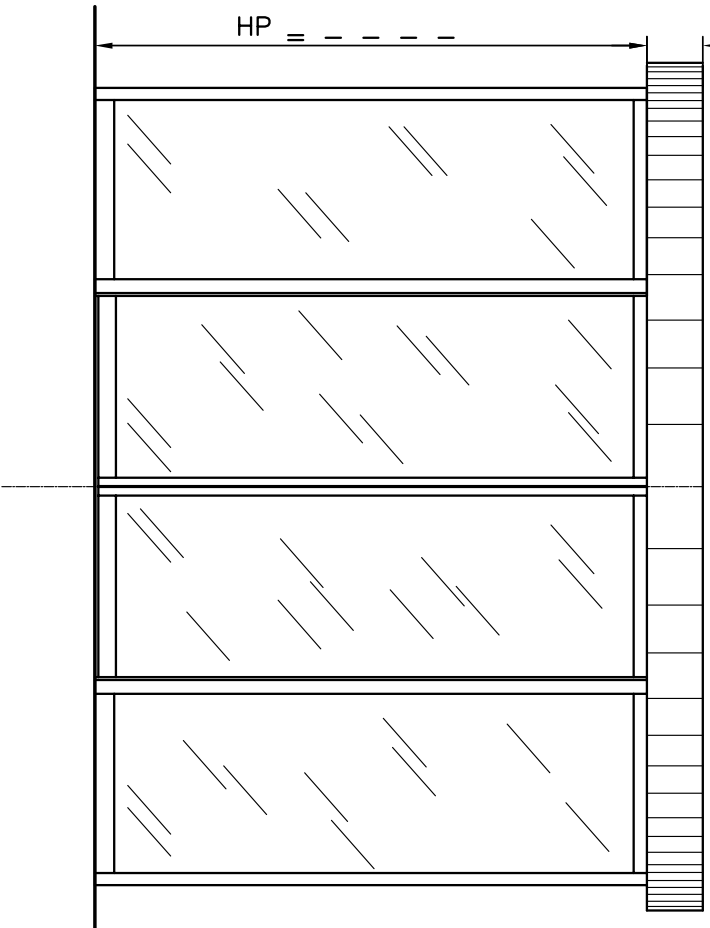
DETAIL 2



DETAIL 3



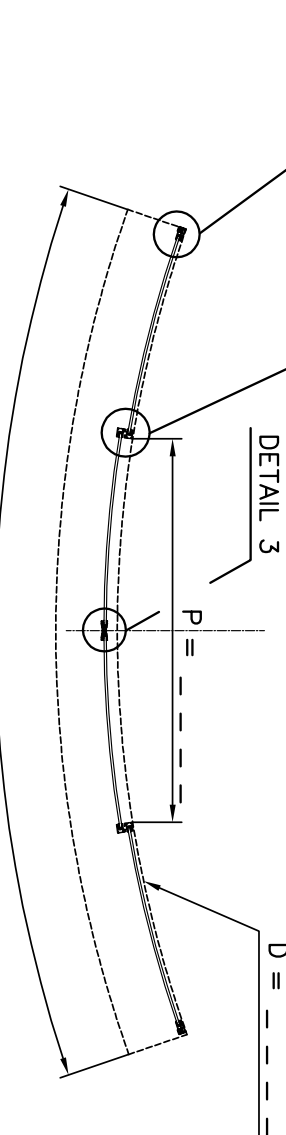
221



DETAIL 1

DETAIL 2

DETAIL 3



LO = - - - -

DIVA

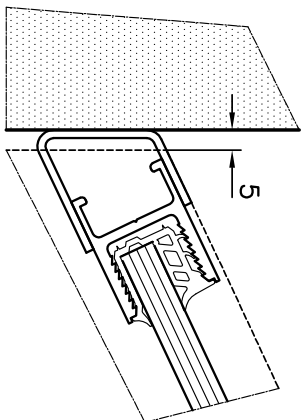
DATE: 2/09/99

C C G25 + F Cve

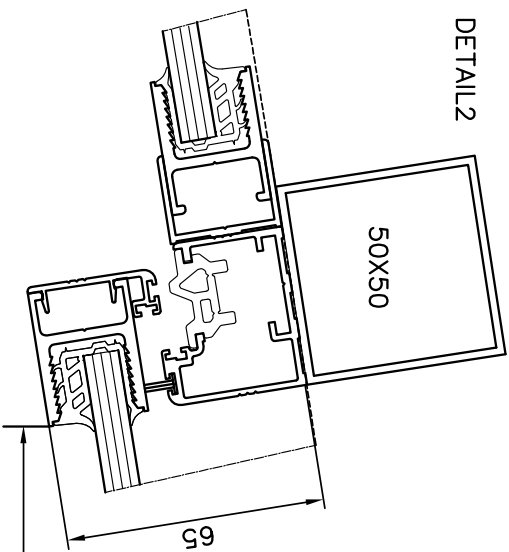
PE 2730 / Ind. C



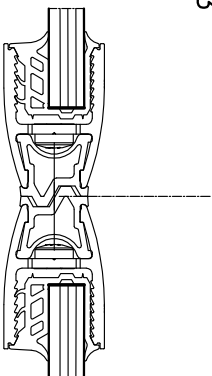
DETAIL 1



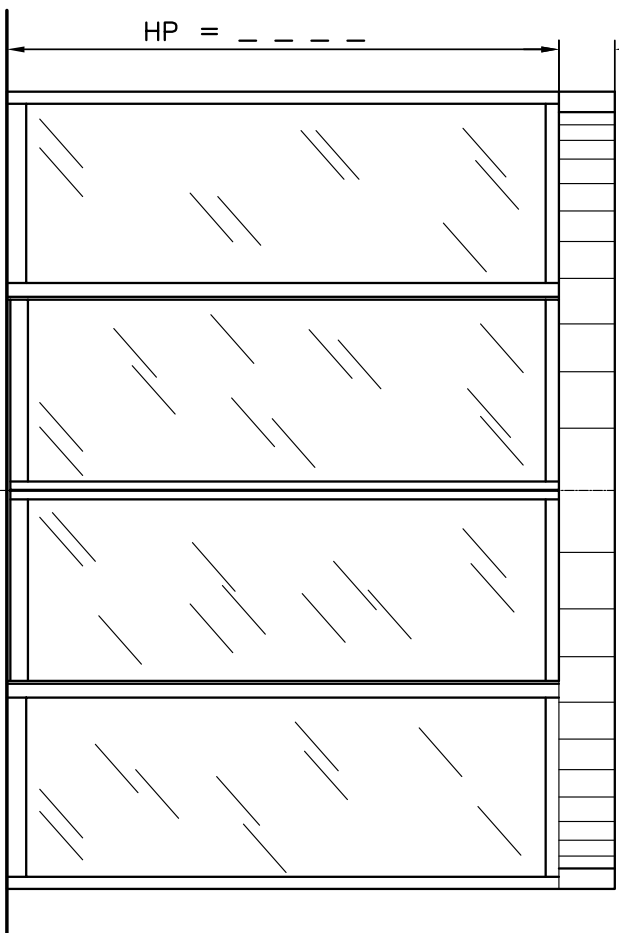
DETAIL 2



DETAIL 3



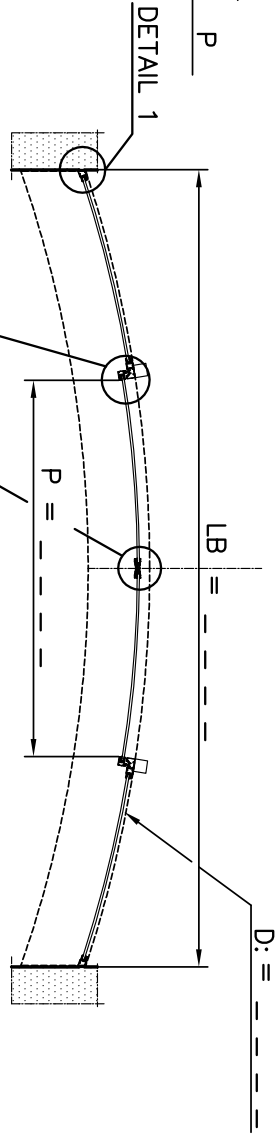
221



DETAIL 1

DETAIL 2

DETAIL 3



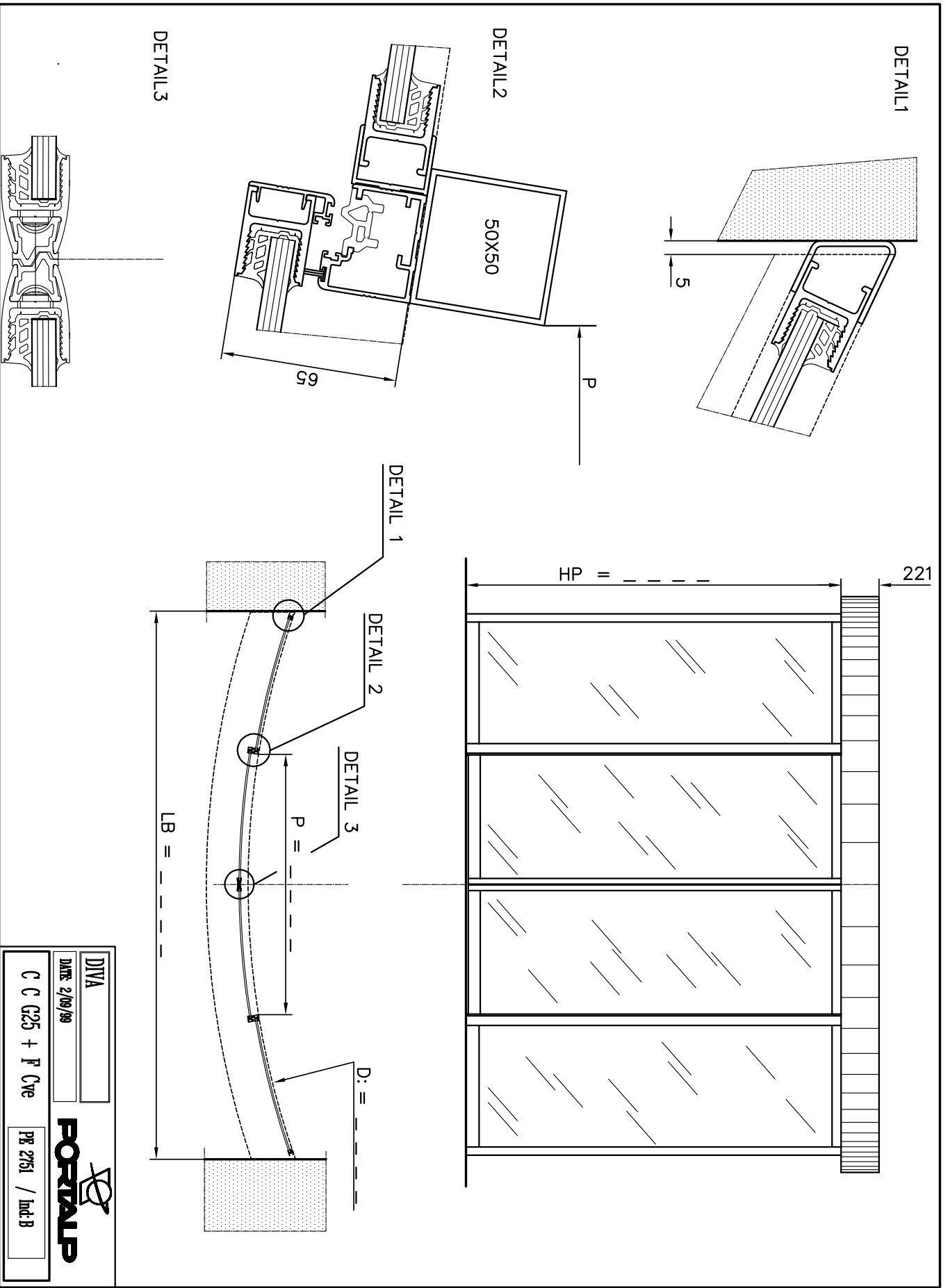
DIVA

DATE: 9/00/99

C C G25 + F Cxe

PE 2750 / Ind B





DETAIL 1

DETAIL 2

DETAIL 3

50X50

65

5

P

DETAIL 1

DETAIL 2

DETAIL 3

D: =

P =

LB =

221

HP =

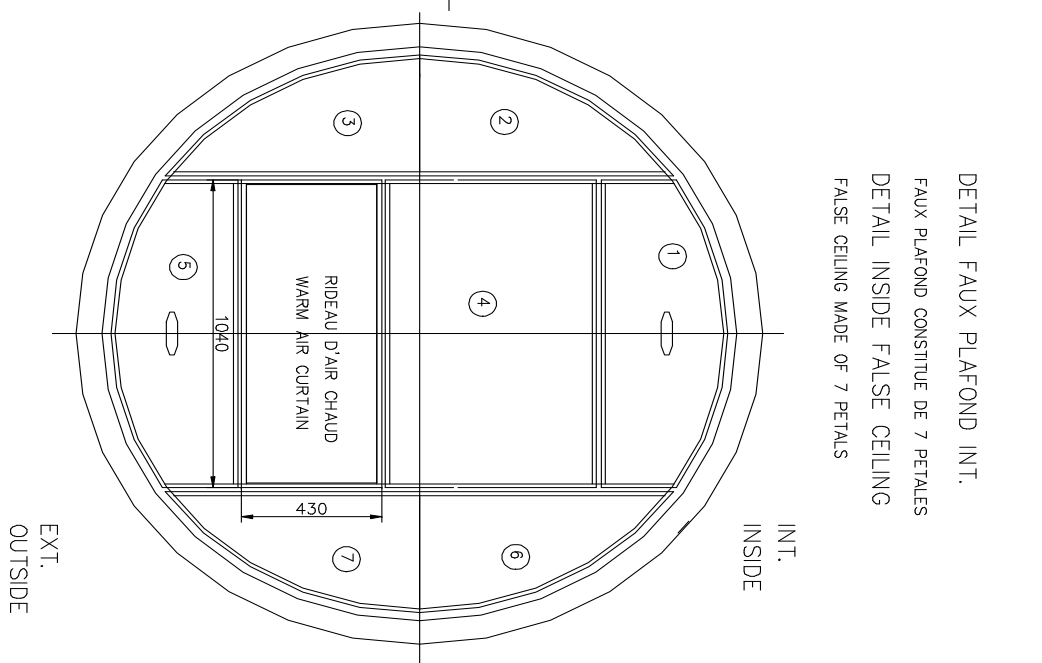
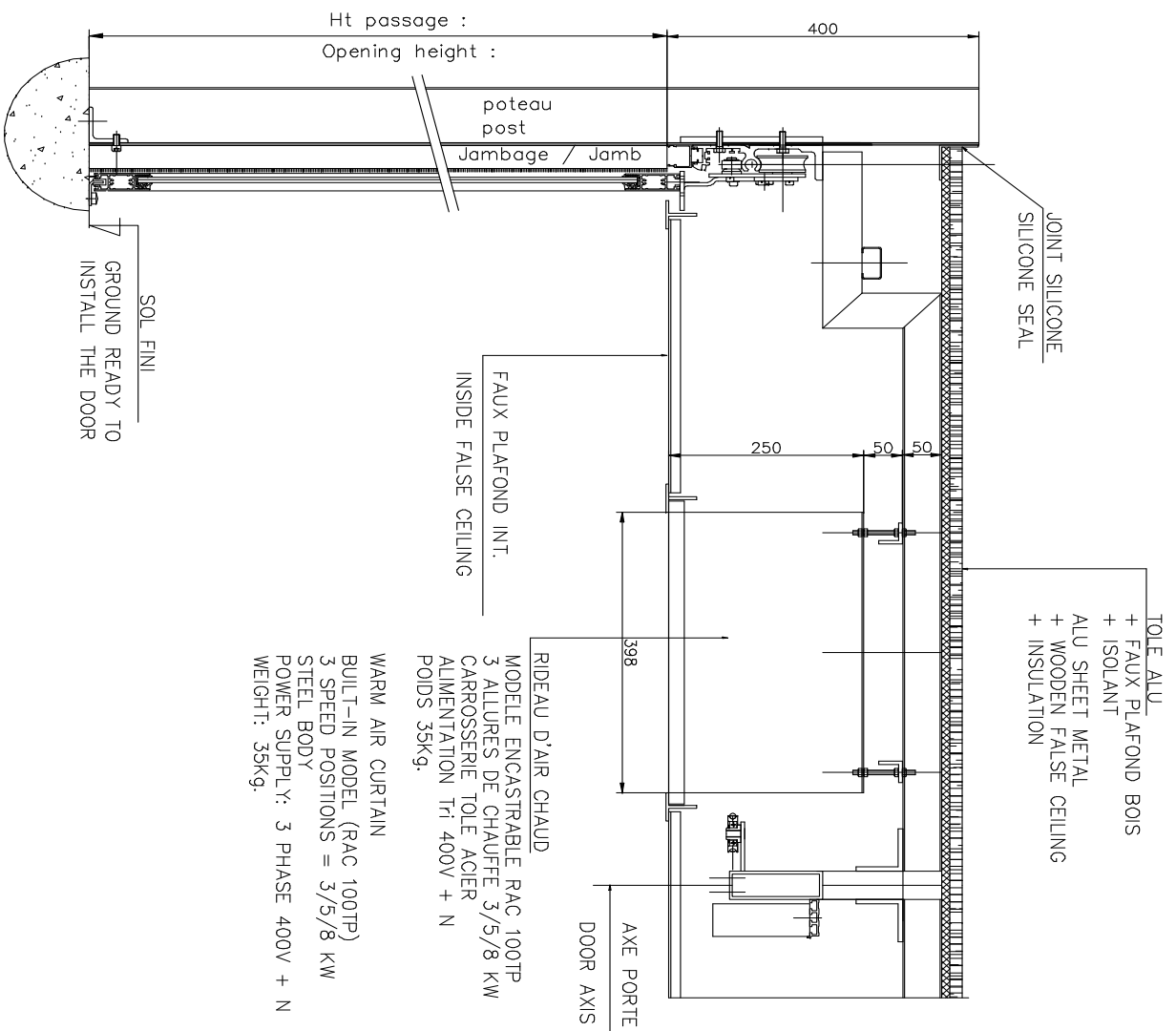
DIVA

DATE: 2/09/99

C C C25 + F Cve



PE 2751 / Ind B



DETAIL FAUX PLAFOND INT.  
 FAUX PLAFOND CONSTITUTE DE 7 PETALES  
 DETAIL INSIDE FALSE CEILING  
 FALSE CEILING MADE OF 7 PETALS

ROUND SLIDING DOOR  
 WITH WARM AIR CURTAIN

PD 4864 / Int.	<b>DRIFLEX</b>	PORTES AUTOMATIQUES
DATE: 26/10/00		
DIVA	PORTE RONDE RIDEAU D'AIR CHAUD	VAI FAUX C25 / C25 LEANS